

两面定位系统

## SBT 两面定位主轴系统

SBT SPINDLE SYSTEM



- 通过确立完善的量规系统，实现了锥面、端面同时两面定位的系统。



### SBT 刀柄的各种优点：

- 提高加工表面光洁度和加工尺寸精度
- 提高 ATC 自动换刀的重复精度
- 延长刀具寿命
- 高速旋转时 Z 轴方向尺寸稳定
- 高刚性 适合重切削
- 提高镗孔加工的圆度

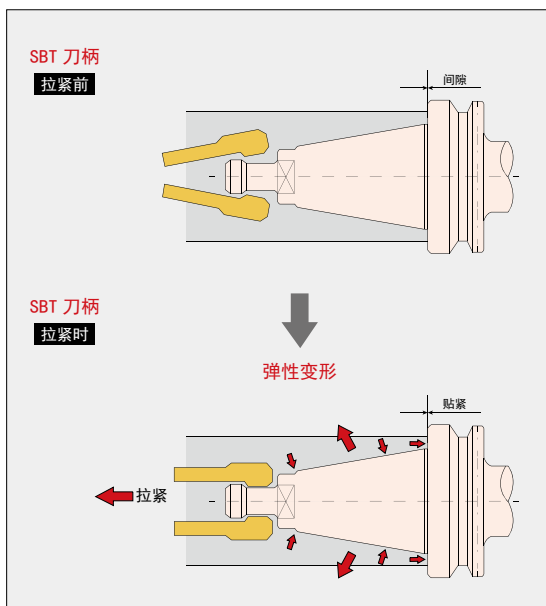
### 拉入量对于端面紧贴很重要！！

刀柄在未被拉紧时，与主轴端面有微小间隙。通过拉紧装置拉入，主轴因弹性形变产生扩张，实现端面完全贴紧。因此，确保端面紧贴的拉入量非常重要。

《参考值》

| 主轴规格 | 拉紧力    | 拉入量   |
|------|--------|-------|
| #40  | 800Kg  | 20 μm |
| #50  | 2000Kg | 20 μm |

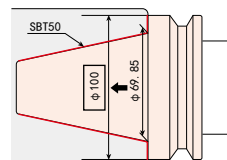
上表中的数值仅供参考，拉入量因主轴形状及紧固机构而异。（本公司加工中心的实测值）



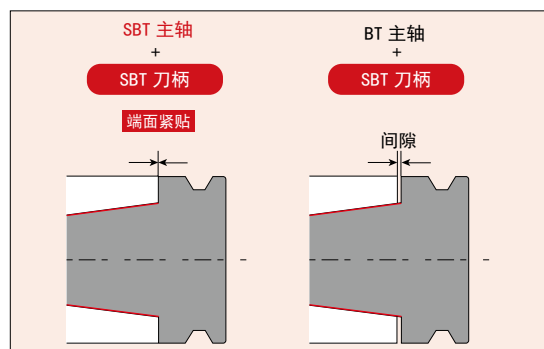
### 增加刀柄的基准直径，刚性增强。

根据力学原理，基准直径越大刚性越强，普通的 BT 刀柄的基准直径是锥柄的大端直径、而端面紧贴的 SBT 系统的基准直径是法兰外径。因此，SBT 刀柄刚性有了显著增强。

|         |         |       |
|---------|---------|-------|
| BT30 锥柄 | φ 31.75 | φ 46  |
| BT40 锥柄 | φ 44.45 | φ 63  |
| BT50 锥柄 | φ 69.85 | φ 100 |



### “SBT 主轴 “与” SBT 刀柄 “的最强组合

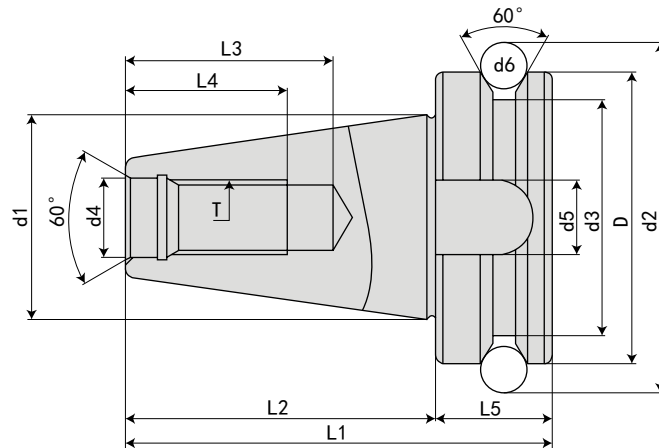


刀柄除端面位置尺寸外，其他尺寸均以 MAS-BT 规格为标准。SBT 主轴系统通过组合 SBT 刀柄与 SBT 主轴，可最大限度地发挥两面定位的性能。SBT 刀柄也可使用原有标准规格的 BT 主轴，但这种情况下没有两面定位功能。为了发挥两面定位的优异性能，请在 SBT 主轴中使用 SBT 刀柄。另外，使用 SBT 刀柄以外的两面定位刀柄时，可能会损伤机床主轴，敬请注意。

建议在 SBT 主轴中使用 SBT 刀柄。

请勿在 SBT 主轴中混用 SBT 刀柄和 BT 刀柄。

· 参考资料 REFERENCE DETAILS



| 规格 Model | D<br>h8 | d1    | d2     | d3 | d4<br>H8 | d5<br>H12 | d6 | L1    | L2<br>±0.2 | L3<br>Min | L4<br>Min | L5   | a<br>±0.4 | T<br>6H   |
|----------|---------|-------|--------|----|----------|-----------|----|-------|------------|-----------|-----------|------|-----------|-----------|
| SBT30    | 46      | 31.75 | 56.14  | 38 | 12.5     | 16.1      | 8  | 70.4  | 48.4       | 34        | 24        | 21   | 1         | M12*1.75P |
| SBT40    | 63      | 44.45 | 75.679 | 53 | 17       | 16.1      | 10 | 92.4  | 65.4       | 43        | 30        | 26   | 1         | M16*2.0P  |
| SBT50    | 100     | 69.85 | 119.02 | 83 | 25       | 25.7      | 15 | 139.8 | 101.8      | 62        | 45        | 36.5 | 1.5       | M24*3.0P  |

特点:

- 锥度精度 : <AT3
- 基本材质 : JIS - SCM415 or JIS SNCM220 or JIS SNCM439
- 硬度 : HRC56 ° ~58 ° 渗碳深度 >0.8mm
- 真圆度 : <0.8um
- 表面粗糙度 : Ra<0.5um
- 刀柄本体可另外指定 : 通过 V 型法兰端出水规格 ( DIN - 69871 - AD+B )
- ER、EOC、FMA、FMB、MLC、MLD、MLT、SCK、SFC、SKS、SLN ( DIN、FID、JIS )、SOM、TG 皆符合 : 通过刀柄本体中心出水规格 ( DIN - 69871 - AD )
- 刀柄有预设标准动平衡 G6.3 , 可另外指定精密动平衡 G2.5
- 本体规范 : BIG - PLUS

Features:

- Taper tolerance<AT3
- Basic Material:JIS - SCM415
- Hardness>HRC 56 ° Carbon depth>0.8mm
- Roundness<0.8um
- Surface roughness:Ra<0.5um
- If it is suitable for center coolant standard(DIN - 69871 - AD or B),it can be ordered
- ER、EOC、FMA、FMB、MLC、MLD、MLT、SCK、SFC、SKS、SLN(DIN、FID、JIS)、SOM、TG Are in compliance with:Water through the chuck body center type(DIN - 69871 - AD)
- The shank has pre - balance at G6.3,and can provide percision balance at G2.5,made by request
- Shank body standard:BIG - PLUS

· SBT30-PhC 液压刀柄 SBT30-PhC HYDRAULIC TOOL HOLDER



FIG. 1

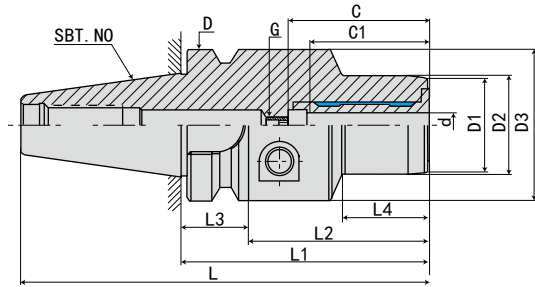
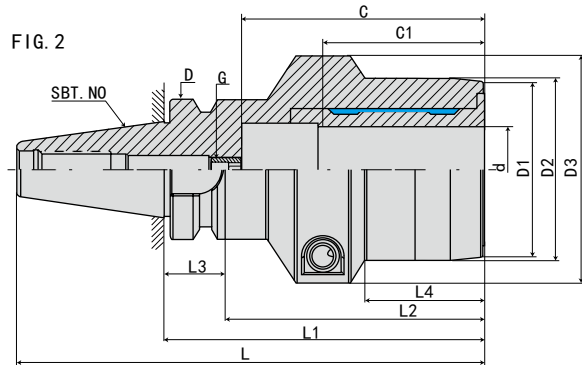
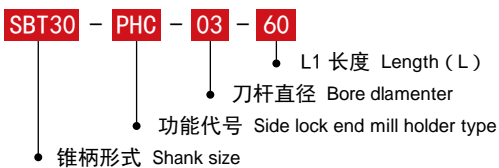


FIG. 2



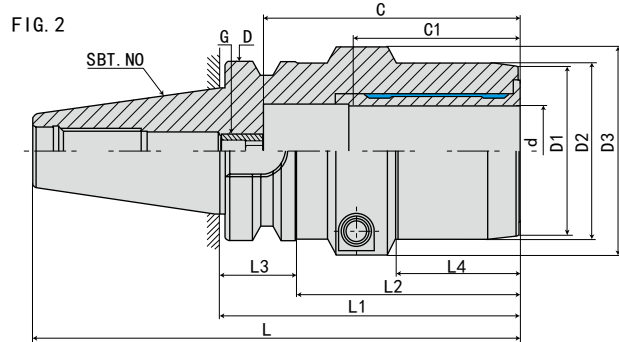
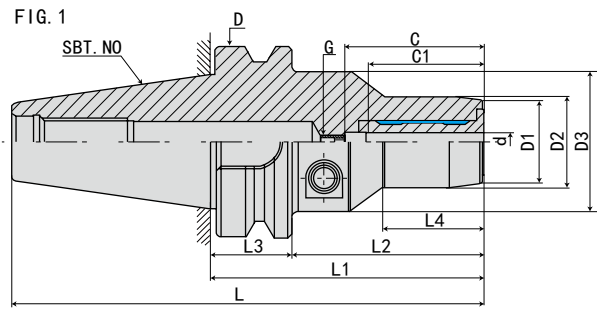
| 型号 Model         | L     | L1  | L2 | L3 | L4 | D  | D1 | D2 | D3 | d     | 最大插入深度 C<br>Max. insertion depth | 最少插入深度 C1<br>Min insertion depth | G        | FIG | 重量<br>KGS |
|------------------|-------|-----|----|----|----|----|----|----|----|-------|----------------------------------|----------------------------------|----------|-----|-----------|
| SBT30-PhC03 - 60 | 108.4 | 60  | 38 | 22 | 28 | 46 | 20 | 23 | 45 | 3     | *                                | 18                               | *        | 1   | 0.75      |
| -PhC3.175 - 60   | 108.4 | 60  | 38 | 22 | 28 | 46 | 20 | 23 | 45 | 3.175 | *                                | 18                               | *        | 1   | 0.75      |
| -PhC04 - 60      | 108.4 | 60  | 38 | 22 | 28 | 46 | 21 | 24 | 45 | 4     | *                                | 24                               | *        | 1   | 0.75      |
| -PhC05 - 60      | 108.4 | 60  | 38 | 22 | 28 | 46 | 22 | 25 | 45 | 5     | *                                | 26                               | *        | 1   | 0.75      |
| -PhC06 - 70      | 118.4 | 70  | 48 | 22 | 28 | 46 | 23 | 26 | 45 | 6     | 37                               | 27                               | M5*0.8P  | 1   | 0.8       |
| -PhC08 - 70      | 118.4 | 70  | 48 | 22 | 28 | 46 | 25 | 28 | 45 | 8     | 37                               | 27                               | M6*1.0P  | 1   | 0.85      |
| -PhC10 - 75      | 123.4 | 75  | 53 | 22 | 36 | 46 | 27 | 30 | 45 | 10    | 41                               | 31                               | M8*1.0P  | 1   | 0.85      |
| -PhC12 - 75      | 123.4 | 75  | 53 | 22 | 36 | 46 | 29 | 32 | 45 | 12    | 46                               | 36                               | M10*1.0P | 1   | 0.85      |
| -PhC14 - 85      | 133.4 | 85  | 63 | 22 | 44 | 46 | 31 | 34 | 45 | 14    | 46                               | 36                               | M10*1.0P | 1   | 0.95      |
| -PhC16 - 90      | 138.4 | 90  | 68 | 22 | 48 | 46 | 35 | 38 | 45 | 16    | 52                               | 39                               | M12*1.0P | 1   | 1.05      |
| -PhC18 - 90      | 138.4 | 90  | 68 | 22 | 48 | 46 | 37 | 40 | 45 | 18    | 52                               | 39                               | M12*1.0P | 1   | 1.1       |
| -PhC20 - 90      | 138.4 | 90  | 68 | 22 | 48 | 46 | 39 | 42 | 45 | 20    | 52                               | 41                               | M16*1.0P | 1   | 1.15      |
| -PhC25 - 105     | 153.4 | 105 | 83 | 22 | 44 | 46 | 52 | 55 | 63 | 25    | 80                               | 47                               | M16*1.0P | 2   | 1.65      |
| -PhC32 - 105     | 153.4 | 105 | 83 | 22 | 39 | 46 | 57 | 60 | 68 | 32    | 80                               | 51                               | M16*1.0P | 2   | 1.8       |

规格说明:



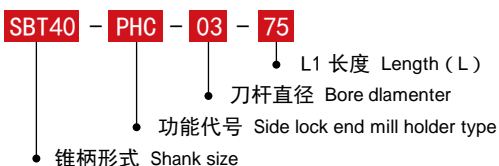
D  
SBT SHANK SYSTEMS  
SBT 刀柄系统

· SBT40- PHC 液压刀柄 SBT40- PHC HYDRAULIC TOOL HOLDER

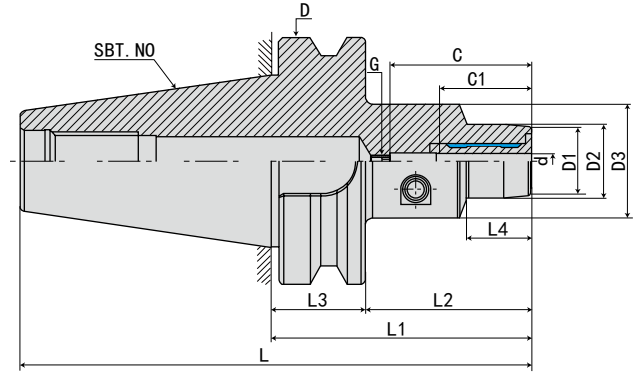


| 型号 Model         | L     | L1  | L2 | L3 | L4 | D  | D1 | D2 | D3 | d     | 最大插入深度 C<br>Max. insertion depth | 最少插入深度 C1<br>Min insertion depth | G        | FIG | 重量<br>KGS |
|------------------|-------|-----|----|----|----|----|----|----|----|-------|----------------------------------|----------------------------------|----------|-----|-----------|
| SBT40- PHC03- 75 | 140.4 | 75  | 48 | 27 | 26 | 63 | 20 | 23 | 50 | 3     | *                                | 18                               | *        | 1   | 1.28      |
| - 90             | 155.4 | 90  | 63 | 27 | 29 | 63 | 20 | 23 | 50 | 3     | *                                | 18                               | *        | 1   | 1.38      |
| - PHC3.175- 75   | 140.4 | 75  | 48 | 27 | 26 | 63 | 20 | 23 | 50 | 3.175 | *                                | 18                               | *        | 1   | 1.28      |
| - 90             | 155.4 | 90  | 63 | 27 | 29 | 63 | 20 | 23 | 50 | 3.175 | *                                | 18                               | *        | 1   | 1.38      |
| - PHC04- 75      | 140.4 | 75  | 48 | 27 | 26 | 63 | 21 | 24 | 50 | 4     | *                                | 24                               | *        | 1   | 1.28      |
| - 90             | 155.4 | 90  | 63 | 27 | 29 | 63 | 21 | 24 | 50 | 4     | *                                | 24                               | *        | 1   | 1.38      |
| - PHC05- 75      | 140.4 | 75  | 48 | 27 | 26 | 63 | 22 | 25 | 50 | 5     | *                                | 26                               | *        | 1   | 1.3       |
| - 90             | 155.4 | 90  | 63 | 27 | 29 | 63 | 22 | 25 | 50 | 5     | *                                | 26                               | *        | 1   | 1.4       |
| - PHC06- 75      | 140.4 | 75  | 48 | 27 | 26 | 63 | 23 | 26 | 50 | 6     | 37                               | 27                               | M5*0.8P  | 1   | 1.32      |
| - 90             | 155.4 | 90  | 63 | 27 | 29 | 63 | 23 | 26 | 50 | 6     | 37                               | 27                               | M5*0.8P  | 1   | 1.41      |
| - PHC08- 75      | 140.4 | 75  | 48 | 27 | 26 | 63 | 25 | 28 | 50 | 8     | 37                               | 27                               | M6*1.0P  | 1   | 1.36      |
| - 90             | 155.4 | 90  | 63 | 27 | 30 | 63 | 25 | 28 | 50 | 8     | 37                               | 27                               | M6*1.0P  | 1   | 1.46      |
| - PHC10- 75      | 140.4 | 75  | 48 | 27 | 26 | 63 | 27 | 30 | 50 | 10    | 41                               | 31                               | M8*1.0P  | 1   | 1.43      |
| - 90             | 155.4 | 90  | 63 | 27 | 35 | 63 | 27 | 30 | 50 | 10    | 41                               | 31                               | M8*1.0P  | 1   | 1.57      |
| - PHC12- 75      | 140.4 | 75  | 48 | 27 | 26 | 63 | 29 | 32 | 50 | 12    | 46                               | 36                               | M10*1.0P | 1   | 1.46      |
| - 90             | 155.4 | 90  | 63 | 27 | 40 | 63 | 29 | 32 | 50 | 12    | 46                               | 36                               | M10*1.0P | 1   | 1.62      |
| - PHC14- 75      | 140.4 | 75  | 48 | 27 | 26 | 63 | 31 | 34 | 50 | 14    | 46                               | 36                               | M10*1.0P | 1   | 1.48      |
| - 90             | 155.4 | 90  | 63 | 27 | 40 | 63 | 31 | 34 | 50 | 14    | 46                               | 36                               | M10*1.0P | 1   | 1.68      |
| - PHC16- 75      | 140.4 | 75  | 48 | 27 | 26 | 63 | 35 | 38 | 50 | 16    | 75                               | 39                               | M12*1.0P | 1   | 1.51      |
| - 90             | 155.4 | 90  | 63 | 27 | 45 | 63 | 35 | 38 | 50 | 16    | 75                               | 39                               | M12*1.0P | 1   | 1.7       |
| - PHC18- 75      | 140.4 | 75  | 48 | 27 | 26 | 63 | 37 | 40 | 50 | 18    | 75                               | 39                               | M12*1.0P | 1   | 1.51      |
| - 90             | 155.4 | 90  | 63 | 27 | 46 | 63 | 37 | 40 | 50 | 18    | 75                               | 39                               | M12*1.0P | 1   | 1.7       |
| - PHC20- 75      | 140.4 | 75  | 48 | 27 | 26 | 63 | 39 | 42 | 50 | 20    | 80                               | 41                               | M16*1.0P | 1   | 1.52      |
| - 90             | 155.4 | 90  | 63 | 27 | 47 | 63 | 39 | 42 | 50 | 20    | 80                               | 41                               | M16*1.0P | 1   | 1.75      |
| - PHC25-105      | 170.4 | 105 | 78 | 27 | 50 | 63 | 52 | 55 | 63 | 25    | 80                               | 47                               | M16*1.0P | 1   | 2.05      |
| - PHC32-105      | 170.4 | 105 | 78 | 27 | 48 | 63 | 60 | 63 | 73 | 32    | 90                               | 51                               | M16*1.0P | 2   | 2.34      |
| - PHC40-120      | 185.4 | 120 | 93 | 27 |    | 63 |    |    |    | 40    | 90                               |                                  | M16*1.0P | 2   | 3         |
| - PHC42-120      | 185.4 | 120 | 93 | 27 |    | 63 |    |    |    | 42    | 90                               |                                  | M16*1.0P | 2   | 3         |

规格说明:

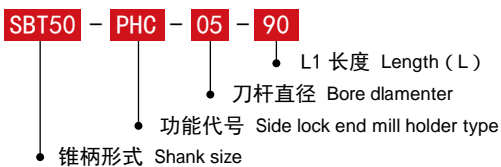


· SBT50-PhC 液压刀柄 SBT50-PhC HYDRAULIC TOOL HOLDER



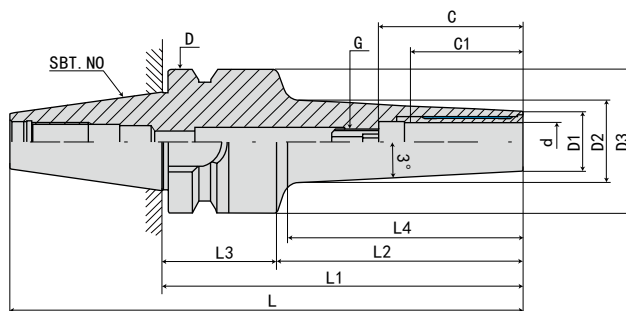
| 型号 Model        | L     | L1  | L2 | L3 | L4 | D   | D1 | D2 | D3   | d  | 最大插入深度 C<br>Max. insertion depth | 最少插入深度 C1<br>Min insertion depth | G        | 重量<br>KGS |
|-----------------|-------|-----|----|----|----|-----|----|----|------|----|----------------------------------|----------------------------------|----------|-----------|
| SBT50-PhC05- 90 | 191.8 | 90  | 52 | 38 | 32 | 100 | 22 | 25 | 49.5 | 5  | *                                | 26                               | *        | 4.2       |
| -120            | 221.8 | 120 | 82 | 38 | 44 | 100 | 22 | 25 | 49.5 | 5  | *                                | 26                               | *        | 4.5       |
| -PhC06- 90      | 191.8 | 90  | 52 | 38 | 32 | 100 | 23 | 26 | 49.5 | 6  | 37                               | 27                               | M5*0.8P  | 4.2       |
| -120            | 221.8 | 120 | 82 | 38 | 44 | 100 | 23 | 26 | 49.5 | 6  | 37                               | 27                               | M5*0.8P  | 4.5       |
| -PhC08- 90      | 191.8 | 90  | 52 | 38 | 32 | 100 | 25 | 28 | 49.5 | 8  | 37                               | 27                               | M6*1.0P  | 4.2       |
| -120            | 221.8 | 120 | 82 | 38 | 44 | 100 | 25 | 28 | 49.5 | 8  | 37                               | 27                               | M6*1.0P  | 4.5       |
| -PhC10- 90      | 191.8 | 90  | 52 | 38 | 32 | 100 | 27 | 30 | 49.5 | 10 | 41                               | 31                               | M8*1.0P  | 4.2       |
| -120            | 221.8 | 120 | 82 | 38 | 44 | 100 | 27 | 30 | 49.5 | 10 | 41                               | 31                               | M8*1.0P  | 4.5       |
| -PhC12- 90      | 191.8 | 90  | 52 | 38 | 32 | 100 | 29 | 32 | 49.5 | 12 | 46                               | 36                               | M10*1.0P | 4.3       |
| -120            | 221.8 | 120 | 82 | 38 | 44 | 100 | 29 | 32 | 49.5 | 12 | 46                               | 36                               | M10*1.0P | 4.5       |
| -PhC14- 90      | 191.8 | 90  | 52 | 38 | 32 | 100 | 31 | 34 | 49.5 | 14 | 46                               | 36                               | M10*1.0P | 4.3       |
| -120            | 221.8 | 120 | 82 | 38 | 44 | 100 | 31 | 34 | 49.5 | 14 | 46                               | 36                               | M10*1.0P | 4.6       |
| -PhC16- 90      | 191.8 | 90  | 52 | 38 | 32 | 100 | 35 | 38 | 49.5 | 16 | 75                               | 39                               | M12*1.0P | 4.3       |
| -120            | 221.8 | 120 | 82 | 38 | 48 | 100 | 35 | 38 | 49.5 | 16 | 75                               | 39                               | M12*1.0P | 4.6       |
| -PhC18- 90      | 191.8 | 90  | 52 | 38 | 32 | 100 | 37 | 40 | 49.5 | 18 | 75                               | 39                               | M12*1.0P | 4.4       |
| -120            | 221.8 | 120 | 82 | 38 | 48 | 100 | 37 | 40 | 49.5 | 18 | 75                               | 39                               | M12*1.0P | 4.6       |
| -PhC20- 90      | 191.8 | 90  | 52 | 38 | 32 | 100 | 39 | 42 | 49.5 | 20 | 75                               | 41                               | M16*1.0P | 4.4       |
| -120            | 221.8 | 120 | 82 | 38 | 48 | 100 | 39 | 42 | 49.5 | 20 | 75                               | 41                               | M16*1.0P | 4.7       |
| -PhC25-120      | 221.8 | 120 | 82 | 38 | 48 | 100 | 53 | 57 | 63   | 25 | 80                               | 47                               | M16*1.0P | 4.9       |
| -PhC32-120      | 221.8 | 120 | 82 | 38 | 48 | 100 | 58 | 62 | 70   | 32 | 90                               | 51                               | M16*1.0P | 5.2       |
| -PhC40-120      | 221.8 | 120 | 82 | 38 |    | 100 |    |    |      | 40 | 90                               | 61                               | M16*1.0P | 6         |
| -PhC42-120      | 221.8 | 120 | 82 | 38 |    | 100 |    |    |      | 42 | 90                               | 61                               | M16*1.0P | 6         |
| -PhC50-120      | 221.8 | 120 | 82 | 38 |    | 100 |    |    |      | 50 | 90                               | 61                               | M16*1.0P | 7         |

规格说明:



D  
SBT 刀柄系列  
SBT SHANK SYSTEMS

· SBT30-SPHC 液压刀柄 SBT30-SPHC HYDRAULIC TOOL HOLDER



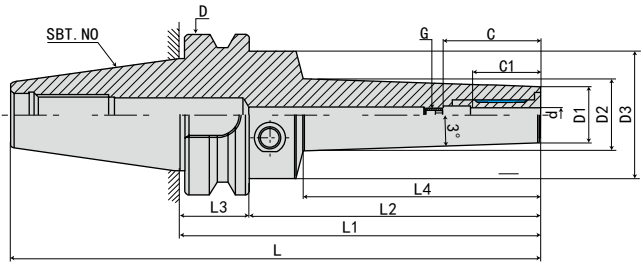
| 型号 Model         | L     | L1  | L2 | L3 | L4 | D  | D1 | D2 | D3 | d  | 最大插入深度 C<br>Max.insertiondepth | 最少插入深度 C1<br>Mininsertiondepth | G        | 重量<br>KGS |
|------------------|-------|-----|----|----|----|----|----|----|----|----|--------------------------------|--------------------------------|----------|-----------|
| SBT30-SPHC03- 85 | 133.4 | 85  | 63 | 22 | 42 | 46 | 11 |    | 45 | 3  | *                              | 18                             | *        | 1.1       |
| -SPHC04- 85      | 133.4 | 85  | 63 | 22 | 42 | 46 | 11 |    | 45 | 4  | *                              | 24                             | *        | 1.1       |
| -SPHC05- 85      | 133.4 | 85  | 63 | 22 | 42 | 46 | 12 |    | 45 | 5  | *                              | 26                             | *        | 1.4       |
| -SPHC06-115      | 163.4 | 115 | 93 | 22 | 74 | 46 | 13 |    | 45 | 6  | 37                             | 27                             | M5*0.8P  | 1.4       |
| -SPHC08-115      | 163.4 | 115 | 93 | 22 | 74 | 46 | 15 |    | 45 | 8  | 37                             | 27                             | M6*1.0P  | 1.4       |
| -SPHC10-115      | 163.4 | 115 | 93 | 22 | 74 | 46 | 17 |    | 45 | 10 | 41                             | 31                             | M8*1.0P  | 1.4       |
| -SPHC12-115      | 163.4 | 115 | 93 | 22 | 75 | 46 | 19 |    | 45 | 12 | 46                             | 36                             | M10*1.0P | 1.4       |

规格说明:

SBT30 - SPHC - 03 - 85

- L1 长度 Length (L)
- 刀杆直径 Bore diameter
- 功能代号 Side lock end mill holder type
- 锥柄形式 Shank size

## · SBT40-SPHC 液压刀柄 SBT40-SPHC HYDRAULIC TOOL HOLDER



| 型号 Model         | L     | L1  | L2  | L3 | L4  | D  | D1 | D2 | D3 | d  | 最大插入深度 C<br>Max. insertion depth | 最少插入深度 C1<br>Min insertion depth | G        | 重量<br>KGS |
|------------------|-------|-----|-----|----|-----|----|----|----|----|----|----------------------------------|----------------------------------|----------|-----------|
| SBT40-SPHC03- 90 | 155.4 | 90  | 63  | 27 | 42  | 63 | 11 |    | 46 | 3  | *                                | 18                               | *        | 1.1       |
| -120             | 185.4 | 120 | 93  | 27 | 72  | 63 | 11 |    | 46 | 3  | *                                | 18                               | *        | 1.3       |
| -SPHC04- 90      | 155.4 | 90  | 63  | 27 | 42  | 63 | 11 |    | 46 | 4  | *                                | 24                               | *        | 1.1       |
| -120             | 185.4 | 120 | 93  | 27 | 72  | 63 | 11 |    | 46 | 4  | *                                | 24                               | *        | 1.3       |
| -SPHC05- 90      | 155.4 | 90  | 63  | 27 | 42  | 63 | 12 |    | 46 | 5  | *                                | 26                               | *        | 1.4       |
| -120             | 185.4 | 120 | 93  | 27 | 72  | 63 | 12 |    | 46 | 5  | *                                | 26                               | *        | 1.3       |
| -SPHC06-120      | 185.4 | 120 | 93  | 27 | 74  | 63 | 13 |    | 46 | 6  | 37                               | 27                               | M5*0.8P  | 1.4       |
| -150             | 215.4 | 150 | 123 | 27 | 104 | 63 | 13 |    | 46 | 6  | 37                               | 27                               | M5*0.8P  | 1.5       |
| -200             | 265.4 | 200 | 173 | 27 | 154 | 63 | 13 |    | 46 | 6  | 37                               | 27                               | M5*0.8P  | 1.7       |
| -SPHC08-120      | 185.4 | 120 | 93  | 27 | 74  | 63 | 15 |    | 46 | 8  | 37                               | 27                               | M6*1.0P  | 1.4       |
| -150             | 215.4 | 150 | 123 | 27 | 104 | 63 | 15 |    | 46 | 8  | 37                               | 27                               | M6*1.0P  | 1.5       |
| -200             | 265.4 | 200 | 173 | 27 | 154 | 63 | 15 |    | 46 | 8  | 37                               | 27                               | M6*1.0P  | 1.7       |
| -SPHC10-120      | 185.4 | 120 | 93  | 27 | 74  | 63 | 17 |    | 46 | 10 | 41                               | 31                               | M8*1.0P  | 1.4       |
| -150             | 215.4 | 150 | 123 | 27 | 104 | 63 | 17 |    | 46 | 10 | 41                               | 31                               | M8*1.0P  | 1.5       |
| -200             | 265.4 | 200 | 173 | 27 | 154 | 63 | 17 |    | 46 | 10 | 41                               | 31                               | M8*1.0P  | 1.7       |
| -SPHC12-120      | 185.4 | 120 | 93  | 27 | 75  | 63 | 19 |    | 46 | 12 | 46                               | 36                               | M10*1.0P | 1.4       |
| -150             | 215.4 | 150 | 123 | 27 | 105 | 63 | 19 |    | 46 | 12 | 46                               | 36                               | M10*1.0P | 1.5       |
| -200             | 265.4 | 200 | 173 | 27 | 154 | 63 | 19 |    | 46 | 12 | 46                               | 36                               | M10*1.0P | 1.7       |
| -SPHC14-120      | 185.4 | 120 | 93  | 27 | 75  | 63 | 21 |    | 46 | 14 | 46                               | 36                               | M10*1.0P | 1.4       |
| -150             | 215.4 | 150 | 123 | 27 | 105 | 63 | 21 |    | 46 | 14 | 46                               | 36                               | M10*1.0P | 1.5       |
| -200             | 265.4 | 200 | 173 | 27 | 154 | 63 | 21 |    | 46 | 14 | 46                               | 36                               | M10*1.0P | 1.7       |
| -SPHC16-120      | 185.4 | 120 | 93  | 27 | 75  | 63 | 23 |    | 50 | 16 | 49                               | 39                               | M12*1.0P | 1.5       |
| -150             | 215.4 | 150 | 123 | 27 | 105 | 63 | 23 |    | 50 | 16 | 49                               | 39                               | M12*1.0P | 1.6       |
| -SPHC16-200      | 265.4 | 200 | 173 | 27 | 154 | 63 | 23 |    | 50 | 16 | 49                               | 39                               | M12*1.0P | 1.8       |
| -SPHC18-120      | 185.4 | 120 | 93  | 27 | 75  | 63 | 25 |    | 50 | 18 | 49                               | 39                               | M12*1.0P | 1.5       |
| -150             | 215.4 | 150 | 123 | 27 | 105 | 63 | 25 |    | 50 | 18 | 49                               | 39                               | M12*1.0P | 1.6       |
| -200             | 265.4 | 200 | 173 | 27 | 154 | 63 | 25 |    | 50 | 18 | 49                               | 39                               | M12*1.0P | 1.8       |
| -SPHC20-120      | 185.4 | 120 | 93  | 27 | 75  | 63 | 27 |    | 50 | 20 | 51                               | 41                               | M16*1.0P | 1.6       |
| -150             | 215.4 | 150 | 123 | 27 | 105 | 63 | 27 |    | 50 | 20 | 51                               | 41                               | M16*1.0P | 1.7       |
| -200             | 265.4 | 200 | 173 | 27 | 154 | 63 | 27 |    | 50 | 20 | 51                               | 41                               | M16*1.0P | 1.9       |

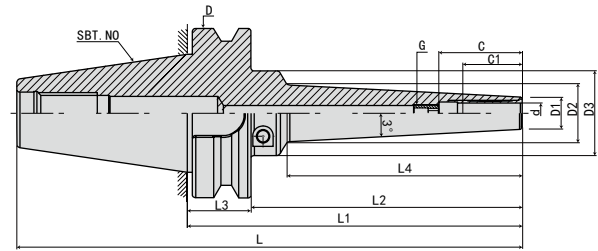
## 规格说明:

**SBT40 - SPHC - 03 - 90**

- L1 长度 Length (L)
- 刀杆直径 Bore diameter
- 功能代号 Side lock end mill holder type
- 锥柄形式 Shank size

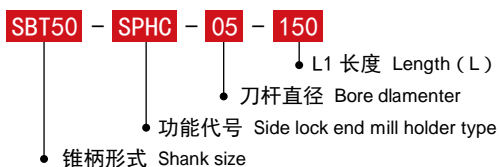
 D  
 SBT SHANK SYSTEMS  
 SBT 刀柄系统

· SBT50-SPHC 液压刀柄 SBT50-SPHC HYDRAULIC TOOL HOLDER



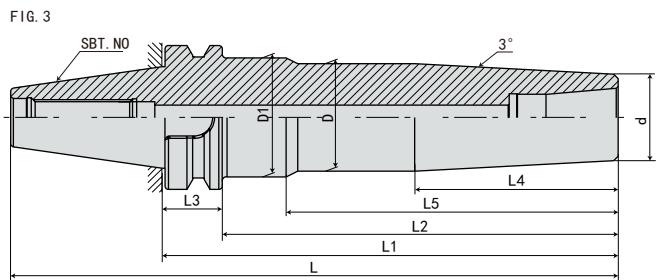
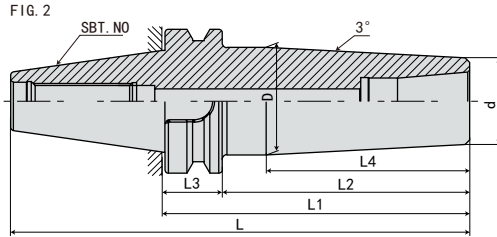
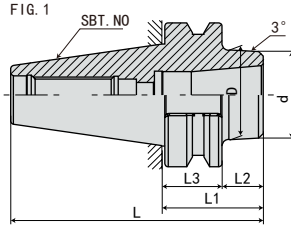
| 型号 Model         | L     | L1  | L2  | L3 | L4  | D   | D1 | D2 | D3 | d  | 最大插入深度 C<br>Max. insertion depth | 最少插入深度 C1<br>Min insertion depth | G        | 重量<br>KGS |
|------------------|-------|-----|-----|----|-----|-----|----|----|----|----|----------------------------------|----------------------------------|----------|-----------|
| SBT50-SPHC05-150 | 251.8 | 150 | 112 | 38 | 80  | 100 | 12 |    | 50 | 5  | *                                | 26                               | *        | 4.2       |
| -200             | 301.8 | 200 | 162 | 38 | 130 | 100 | 12 |    | 50 | 5  | *                                | 26                               | *        | 4.4       |
| -250             | 351.8 | 250 | 212 | 38 | 180 | 100 | 12 |    | 50 | 5  | *                                | 26                               | *        | 4.6       |
| -300             | 401.8 | 300 | 262 | 38 | 230 | 100 | 12 |    | 50 | 5  | *                                | 26                               | *        | 4.8       |
| -SPHC06-150      | 251.8 | 150 | 112 | 38 | 80  | 100 | 13 |    | 50 | 6  | 37                               | 27                               | M5*0.8P  | 4.2       |
| -200             | 301.8 | 200 | 162 | 38 | 130 | 100 | 13 |    | 50 | 6  | 37                               | 27                               | M5*0.8P  | 4.4       |
| -250             | 351.8 | 250 | 212 | 38 | 180 | 100 | 13 |    | 50 | 6  | 37                               | 27                               | M5*0.8P  | 4.6       |
| -300             | 401.8 | 300 | 262 | 38 | 230 | 100 | 13 |    | 50 | 6  | 37                               | 27                               | M5*0.8P  | 4.8       |
| -SPHC08-150      | 251.8 | 150 | 112 | 38 | 80  | 100 | 15 |    | 50 | 8  | 37                               | 27                               | M6*1.0P  | 4.2       |
| -200             | 301.8 | 200 | 162 | 38 | 130 | 100 | 15 |    | 50 | 8  | 37                               | 27                               | M6*1.0P  | 4.4       |
| -250             | 351.8 | 250 | 212 | 38 | 180 | 100 | 15 |    | 50 | 8  | 37                               | 27                               | M6*1.0P  | 4.6       |
| -300             | 401.8 | 300 | 262 | 38 | 230 | 100 | 15 |    | 50 | 8  | 37                               | 27                               | M6*1.0P  | 4.8       |
| -SPHC10-150      | 251.8 | 150 | 112 | 38 | 80  | 100 | 17 |    | 50 | 10 | 41                               | 31                               | M8*1.0P  | 4.3       |
| -200             | 301.8 | 200 | 162 | 38 | 130 | 100 | 17 |    | 50 | 10 | 41                               | 31                               | M8*1.0P  | 4.5       |
| -250             | 351.8 | 250 | 212 | 38 | 180 | 100 | 17 |    | 50 | 10 | 41                               | 31                               | M8*1.0P  | 4.7       |
| -300             | 401.8 | 300 | 262 | 38 | 230 | 100 | 17 |    | 50 | 10 | 41                               | 31                               | M8*1.0P  | 4.9       |
| -SPHC12-150      | 251.8 | 150 | 112 | 38 | 80  | 100 | 19 |    | 50 | 12 | 46                               | 36                               | M10*1.0P | 4.3       |
| -200             | 301.8 | 200 | 162 | 38 | 130 | 100 | 19 |    | 50 | 12 | 46                               | 36                               | M10*1.0P | 4.5       |
| -250             | 351.8 | 250 | 212 | 38 | 180 | 100 | 19 |    | 50 | 12 | 46                               | 36                               | M10*1.0P | 4.7       |
| -300             | 401.8 | 300 | 262 | 38 | 230 | 100 | 19 |    | 50 | 12 | 46                               | 36                               | M10*1.0P | 4.9       |
| -SPHC14-150      | 251.8 | 150 | 112 | 38 | 80  | 100 | 21 |    | 50 | 14 | 46                               | 36                               | M10*1.0P | 4.4       |
| -200             | 301.8 | 200 | 162 | 38 | 130 | 100 | 21 |    | 50 | 14 | 46                               | 36                               | M10*1.0P | 4.6       |
| -250             | 351.8 | 250 | 212 | 38 | 180 | 100 | 21 |    | 50 | 14 | 46                               | 36                               | M10*1.0P | 4.8       |
| -300             | 401.8 | 300 | 262 | 38 | 230 | 100 | 21 |    | 50 | 14 | 46                               | 36                               | M10*1.0P | 5         |
| -SPHC16-150      | 251.8 | 150 | 112 | 38 | 80  | 100 | 23 |    | 50 | 16 | 75                               | 39                               | M12*1.0P | 4.4       |
| -200             | 301.8 | 200 | 162 | 38 | 130 | 100 | 23 |    | 50 | 16 | 75                               | 39                               | M12*1.0P | 4.6       |
| -250             | 351.8 | 250 | 212 | 38 | 180 | 100 | 23 |    | 50 | 16 | 75                               | 39                               | M12*1.0P | 4.8       |
| -300             | 401.8 | 300 | 262 | 38 | 230 | 100 | 23 |    | 50 | 16 | 75                               | 39                               | M12*1.0P | 5         |
| -SPHC18-150      | 251.8 | 150 | 112 | 38 | 80  | 100 | 25 |    | 50 | 18 | 75                               | 39                               | M12*1.0P | 4.5       |
| -200             | 301.8 | 200 | 162 | 38 | 130 | 100 | 25 |    | 50 | 18 | 75                               | 39                               | M12*1.0P | 4.7       |
| -250             | 351.8 | 250 | 212 | 38 | 180 | 100 | 25 |    | 50 | 18 | 75                               | 39                               | M12*1.0P | 4.9       |
| -300             | 401.8 | 300 | 262 | 38 | 230 | 100 | 25 |    | 50 | 18 | 75                               | 39                               | M12*1.0P | 5.1       |
| -SPHC20-150      | 251.8 | 150 | 112 | 38 | 80  | 100 | 27 |    | 50 | 20 | 75                               | 41                               | M16*1.0P | 4.6       |
| -200             | 301.8 | 200 | 162 | 38 | 130 | 100 | 27 |    | 50 | 20 | 75                               | 41                               | M16*1.0P | 4.8       |
| -250             | 351.8 | 250 | 212 | 38 | 180 | 100 | 27 |    | 50 | 20 | 75                               | 41                               | M16*1.0P | 5         |
| -300             | 401.8 | 300 | 262 | 38 | 230 | 100 | 27 |    | 50 | 20 | 75                               | 41                               | M16*1.0P | 5.2       |

规格说明:





· SBT-SLK 热缩基础柄 SBT-SLK SEMI-FINISHED SHRINK FIT CHUCK



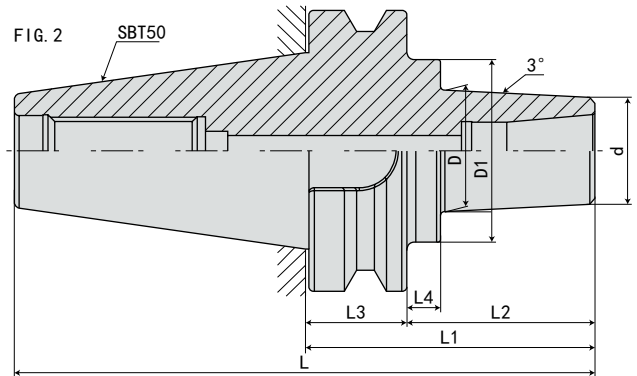
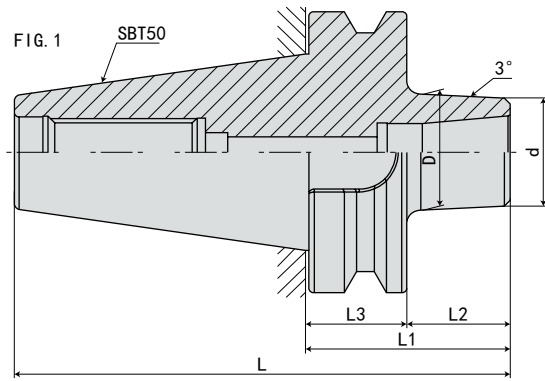
| 规格 Model        | L     | L1  | L2  | L3 | L4 | L5  | D    | D1 | d  | FIG | 重量 KGS |
|-----------------|-------|-----|-----|----|----|-----|------|----|----|-----|--------|
| SBT30-SLK12- 45 | 93.4  | 45  | 24  | 22 | -  | -   | 40   | -  | 38 | 1   |        |
| SBT40-SLK12- 45 | 110.4 | 45  | 19  | 27 | -  | -   | 40   | -  | 38 | 1   | 1.15   |
| - 75            | 140.4 | 75  | 49  | 27 | -  | -   | 42.4 | -  | 38 | 1   | 1.45   |
| -135            | 200.4 | 135 | 109 | 27 | 89 | -   | 47   | -  | 38 | 2   | 2.2    |
| -165            | 230.4 | 165 | 139 | 27 | 89 | -   | 47   | -  | 38 | 2   | 2.65   |
| -200            | 265.4 | 200 | 174 | 27 | 89 | 145 | 47   | 52 | 38 | 3   | 3.25   |
| -225            | 290.4 | 225 | 199 | 27 | 89 | 145 | 47   | 52 | 38 | 3   |        |

规格说明:



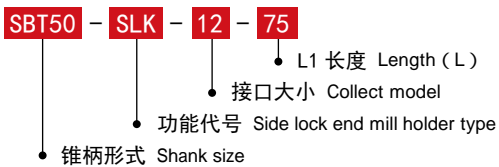
D  
SBT SHANK SYSTEMS  
SBT 刀柄系统

· SBT50-SLK 热缩基础柄 SBT50-SLK SEMI-FINISHED SHRINK FIT CHUCK

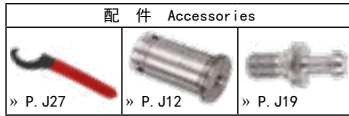
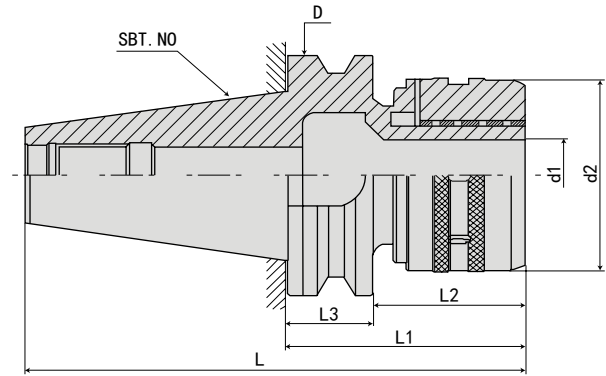


| 规格 Model        | L     | L1  | L2    | L3 | L4 | D    | D1   | d  | FIG | 重量 KGS |
|-----------------|-------|-----|-------|----|----|------|------|----|-----|--------|
| SBT50-SLK12- 75 | 176.8 | 75  | 38.5  | 38 | -  | 41   | -    | 38 | 1   |        |
| - 105           | 206.8 | 105 | 68.5  | 38 | 12 | 43   | 65   | 38 | 2   |        |
| - 135           | 236.8 | 135 | 98.5  | 38 | 12 | 46.5 | 65   | 38 | 2   |        |
| - 165           | 266.8 | 165 | 128.5 | 38 | 12 | 50   | 65   | 38 | 2   |        |
| - 225           | 326.8 | 225 | 188.5 | 38 | 12 | 56   | 65   | 38 | 2   |        |
| - 265           | 366.8 | 265 | 228.5 | 38 | 12 | 60   | 65   | 38 | 2   |        |
| - 315           | 416.8 | 315 | 278.5 | 38 | 12 | 65.5 | 65.5 | 38 | 2   |        |

规格说明:



· SBT-C 型高精度强力刀柄 SBT-C FORCE MILLING CHUCK



| 规格 Model      | L     | L1  | L2    | L3 | D   | d1 | d2 | 夹持范围 Range   | 重量 KGS |
|---------------|-------|-----|-------|----|-----|----|----|--|--------|
| SBT30-C20- 80 | 128.4 | 80  | 59    | 22 | 46  | 20 | 56 | 3 4 5 6 8 10 12 14 16 20                               |        |
| -C25-100      | 148.4 | 100 | 79    | 22 | 46  | 25 | 61 | 3 4 5 6 8 10 12 14 16 18 20 25                         |        |
| -C32-105      | 153.4 | 105 | 84    | 22 | 46  | 32 | 68 | 3 4 5 6 8 10 12 14 16 18 20 22 24 25 32                |        |
| SBT40-C20-100 | 165.4 | 100 | 74    | 27 | 63  | 20 | 56 | 3 4 5 6 8 10 12 14 16 20                               |        |
| -C25-100      | 165.4 | 100 | 74    | 27 | 63  | 25 | 61 | 3 4 5 6 8 10 12 14 16 18 20 25                         |        |
| -135          | 200.4 | 135 | 109   | 27 | 63  | 25 | 61 | 3 4 5 6 8 10 12 14 16 18 20 25                         |        |
| -C32-105      | 170.4 | 105 | 79    | 27 | 63  | 32 | 68 | 3 4 5 6 8 10 12 14 16 18 20 22 24 25 32                |        |
| -135          | 200.4 | 135 | 109   | 27 | 63  | 32 | 68 | 3 4 5 6 8 10 12 14 16 18 20 22 24 25 32                |        |
| -165          | 230.4 | 165 | 139   | 27 | 63  | 32 | 68 | 3 4 5 6 8 10 12 14 16 18 20 22 24 25 32                |        |
| -200          | 265.4 | 200 | 174   | 27 | 63  | 32 | 68 | 3 4 5 6 8 10 12 14 16 18 20 22 24 25 32                |        |
| SBT50-C25-110 | 211.8 | 110 | 73.5  | 38 | 100 | 25 | 61 | 3 4 5 6 8 10 12 14 16 18 20 25                         |        |
| -135          | 236.8 | 135 | 98.5  | 38 | 100 | 25 | 61 | 3 4 5 6 8 10 12 14 16 18 20 25                         |        |
| -165          | 266.8 | 165 | 128.5 | 38 | 100 | 25 | 61 | 3 4 5 6 8 10 12 14 16 18 20 25                         |        |
| -C32-110      | 211.8 | 110 | 73.5  | 38 | 100 | 32 | 68 | 3 4 5 6 8 10 12 14 16 18 20 22 24 25 32                |        |
| -135          | 236.8 | 135 | 98.5  | 38 | 100 | 32 | 68 | 3 4 5 6 8 10 12 14 16 18 20 22 24 25 32                |        |
| -165          | 266.8 | 165 | 128.5 | 38 | 100 | 32 | 68 | 3 4 5 6 8 10 12 14 16 18 20 22 24 25 32                |        |
| -200          | 301.8 | 200 | 163.5 | 38 | 100 | 32 | 68 | 3 4 5 6 8 10 12 14 16 18 20 22 24 25 32                |        |
| -250          | 351.8 | 250 | 213.5 | 38 | 100 | 32 | 68 | 3 4 5 6 8 10 12 14 16 18 20 22 24 25 32                |        |
| -300          | 401.8 | 300 | 263.5 | 38 | 100 | 32 | 68 | 3 4 5 6 8 10 12 14 16 18 20 22 24 25 32                |        |
| -C42-135      | 236.8 | 135 | 98.5  | 38 | 100 | 42 | 87 | 3 4 5 6 8 10 12 14 16 18 20 22 24 25 28 30 32 34 36 42 |        |
| -165          | 266.8 | 165 | 128.5 | 38 | 100 | 42 | 87 | 3 4 5 6 8 10 12 14 16 18 20 22 24 25 28 30 32 34 36 42 |        |
| -200          | 301.8 | 200 | 163.5 | 38 | 100 | 42 | 87 | 3 4 5 6 8 10 12 14 16 18 20 22 24 25 28 30 32 34 36 42 |        |

特点:

高速、高精度、高寿命直柄刀具系列

材质: 20CrMnTi/15CrMn

硬度: HRC58-60, 渗碳深度 > 0.8mm

锥柄公差等级: AT3

刀柄内孔分割了六槽, 以防止刀具转动, 增大夹持力

采用特殊材料制作滚针轴承保持架, 延长使用寿命, 增强夹紧力

具有夹持力大, 定点精度高, 特别适用于强力切削

可提供两种外观: 光饰或涂层处理

内孔多次研磨, 可达 Ra0.4, 起到镜面效果

外圆及端面多次研磨, 可达 Ra0.4, 起到镜面效果

表面“环保”特殊涂层处理, 提高表面硬度、耐磨性, 提高清洁度, 精度更稳定, 表面更光滑, 防锈、防腐蚀效果更好, 手感更舒适, 外观更美观

扳手、拉钉、筒夹须另行购买

Features:

High speed, high accuracy, high durability C-STRAIGHT TOOL SERIES

Material: 20CrMnTi/15CrMn ;

Hardness: HRC58-60, Carbon depth > 0.8 Tolerance class: AT3

Inner hole of the shank divide into 6 troughs to prevent the insert remove, increase the grasp force

Ball bearing cage is made of special material, improve the endurance, enhance the grasp force

Grasp force strong, centering accuracy high, suit to heavy cutting

Two kinds looks provide: polishing or chemical nickel-plating processing;

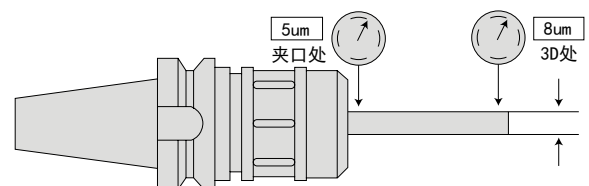
Inner hole grinding for many times, so as to reach Ra0.4, has a mirror effect;

End and the cylindrical are grinding for many times, can reach Ra0.4, has a mirror effect;

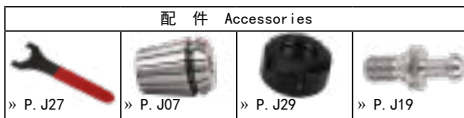
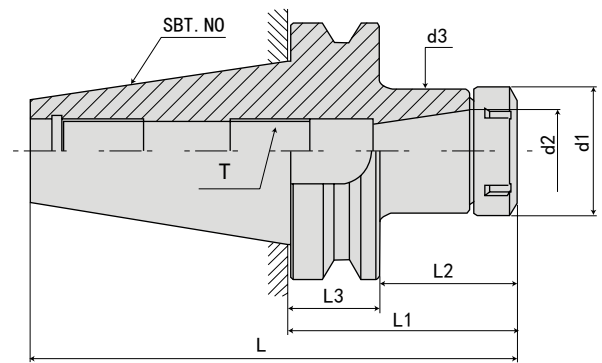
Surface "environmental protection", special coating surface treatment, improve the hardness and endurance of the surface, cleanliness better, accuracy stable, surface more smooth, antirust, feel comfortable, appearance nice.

The spanner, pull stud chuck must purchase alone.

规格说明:

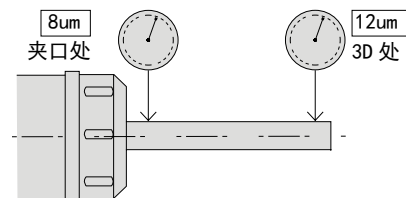
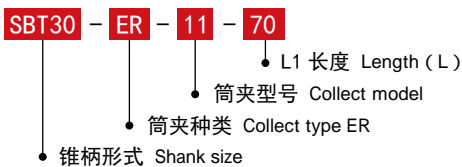


· SBT30-ER 弹性筒夹刀柄 SBT30-ER COLLET CHUCK

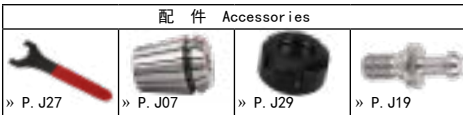
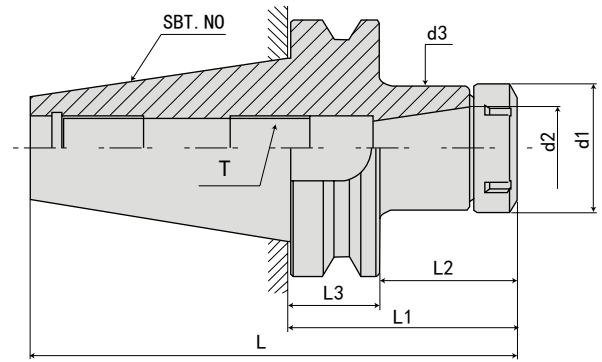


| 规格 Model       | L     | L1  | L2 | L3 | d1 | d2 | d3 | T         | 夹持范围 Range | 重量 KGS |
|----------------|-------|-----|----|----|----|----|----|-----------|------------|--------|
| SBT30-ER11- 70 | 118.4 | 70  | 49 | 22 | 16 | 11 | 16 | M6*1.0P   | 1 - 7mm    | 0.53   |
| -100           | 148.4 | 100 | 79 | 22 | 16 | 11 | 16 | M6*1.0P   | 1 - 7mm    | 0.53   |
| -ER16- 70      | 118.4 | 70  | 49 | 22 | 28 | 16 | 28 | M10*1.5P  | 1 - 10mm   | 0.61   |
| -100           | 148.4 | 100 | 79 | 22 | 28 | 16 | 28 | M10*1.5P  | 1 - 10mm   | 0.7    |
| -ER20- 70      | 118.4 | 70  | 49 | 22 | 34 | 20 | 34 | M12*1.75P | 1 - 13mm   | 0.67   |
| -100           | 148.4 | 100 | 79 | 22 | 34 | 20 | 34 | M12*1.75P | 1 - 13mm   | 0.8    |
| -ER25- 70      | 118.4 | 70  | 49 | 22 | 42 | 25 | 42 | M16*2.0P  | 1 - 16mm   | 0.7    |
| -100           | 148.4 | 100 | 79 | 22 | 42 | 25 | 42 | M16*2.0P  | 1 - 16mm   | 1      |
| -ER32- 70      | 118.4 | 70  | 49 | 22 | 50 | 32 | 50 | M16*2.0P  | 1 - 20mm   | 0.78   |
| -100           | 148.4 | 100 | 79 | 22 | 50 | 32 | 50 | M16*2.0P  | 1 - 20mm   | 1      |

规格说明:

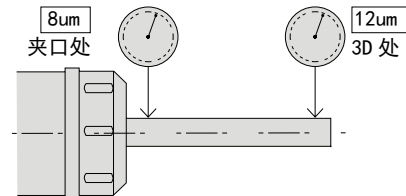


· SBT40-ER 弹性筒夹刀柄 SBT40-ER COLLET CHUCK



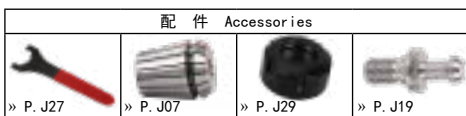
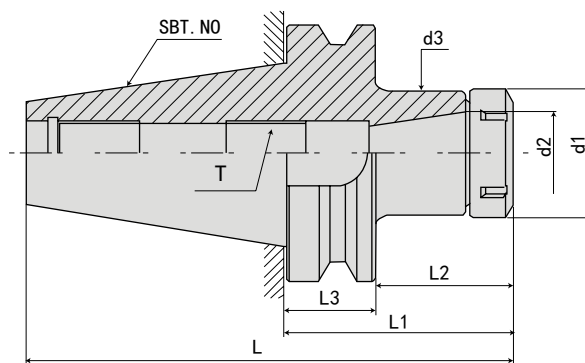
| 规格 Model       | L     | L1  | L2  | L3 | d1 | d2 | d3 | T         | 夹持范围 Range | 重量 KGS |
|----------------|-------|-----|-----|----|----|----|----|-----------|------------|--------|
| SBT40-ER11- 75 | 140.4 | 75  | 49  | 27 | 16 | 11 | 16 | M6*1.0P   | 1-7mm      |        |
| -100           | 165.4 | 100 | 74  | 27 | 16 | 11 | 16 | M6*1.0P   | 1-7mm      |        |
| -ER16- 75      | 140.4 | 75  | 49  | 27 | 28 | 16 | 28 | M10*1.5P  | 1-10mm     | 1.3    |
| -100           | 165.4 | 100 | 74  | 27 | 28 | 16 | 28 | M10*1.5P  | 1-10mm     | 1.3    |
| -120           | 185.4 | 120 | 94  | 27 | 28 | 16 | 28 | M10*1.5P  | 1-10mm     | 1.42   |
| -150           | 215.4 | 150 | 124 | 27 | 28 | 16 | 28 | M10*1.5P  | 1-10mm     | 1.6    |
| -ER20- 75      | 140.4 | 75  | 49  | 27 | 34 | 20 | 34 | M12*1.75P | 1-13mm     | 1.2    |
| -100           | 165.4 | 100 | 74  | 27 | 34 | 20 | 34 | M12*1.75P | 1-13mm     | 1.4    |
| -120           | 185.4 | 120 | 94  | 27 | 34 | 20 | 34 | M12*1.75P | 1-13mm     | 1.52   |
| -150           | 215.4 | 150 | 124 | 27 | 34 | 20 | 34 | M12*1.75P | 1-13mm     | 1.7    |
| -ER25- 75      | 140.4 | 75  | 49  | 27 | 42 | 25 | 42 | M16*2.0P  | 1-16mm     | 1.3    |
| -100           | 165.4 | 100 | 74  | 27 | 42 | 25 | 42 | M16*2.0P  | 1-16mm     | 1.6    |
| -120           | 185.4 | 120 | 94  | 27 | 42 | 25 | 42 | M16*2.0P  | 1-16mm     | 1.78   |
| -150           | 215.4 | 150 | 124 | 27 | 42 | 25 | 42 | M16*2.0P  | 1-16mm     | 2.05   |
| -ER32- 75      | 140.4 | 75  | 49  | 27 | 50 | 32 | 50 | M16*2.0P  | 1-20mm     | 1.47   |
| -100           | 165.4 | 100 | 74  | 27 | 50 | 32 | 50 | M16*2.0P  | 1-20mm     | 1.7    |
| -120           | 185.4 | 120 | 94  | 27 | 50 | 32 | 50 | M16*2.0P  | 1-20mm     | 1.98   |
| -150           | 215.4 | 150 | 124 | 27 | 50 | 32 | 50 | M16*2.0P  | 1-20mm     | 2.4    |
| -200           | 265.4 | 200 | 174 | 27 | 50 | 32 | 50 | M16*2.0P  | 1-20mm     | 3.15   |
| -ER40- 80      | 145.4 | 80  | 54  | 27 | 63 | 40 | 63 | M20*2.0P  | 2-26mm     | 1.5    |
| -100           | 165.4 | 100 | 74  | 27 | 63 | 40 | 63 | M20*2.0P  | 2-26mm     | 2.1    |
| -120           | 185.4 | 120 | 94  | 27 | 63 | 40 | 63 | M20*2.0P  | 2-26mm     | 2.54   |
| -150           | 215.4 | 150 | 124 | 27 | 63 | 40 | 63 | M20*2.0P  | 2-26mm     | 3.2    |

规格说明:



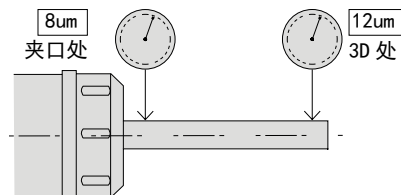
D  
SBT 刀柄系统  
SBT SHANK SYSTEMS

· SBT50-ER 弹性筒夹刀柄 SBT50-ER COLLET CHUCK



| 规格 Model       | L     | L1  | L2    | L3 | d1 | d2 | d3 | T         | 夹持范围 Range | 重量 KGS |
|----------------|-------|-----|-------|----|----|----|----|-----------|------------|--------|
| SBT50-ER16-100 | 201.8 | 100 | 63.5  | 38 | 28 | 16 | 28 | M10*1.5P  | 1-10mm     | 3.9    |
| -135           | 236.8 | 135 | 98.5  | 38 | 28 | 16 | 28 | M10*1.5P  | 1-10mm     | 4.04   |
| -165           | 266.8 | 165 | 128.5 | 38 | 28 | 16 | 28 | M10*1.5P  | 1-10mm     | 4.16   |
| -200           | 301.8 | 200 | 163.5 | 38 | 28 | 16 | 28 | M10*1.5P  | 1-10mm     | 4.3    |
| -ER20-100      | 201.8 | 100 | 63.5  | 38 | 34 | 20 | 34 | M12*1.75P | 1-13mm     | 4      |
| -135           | 236.8 | 135 | 98.5  | 38 | 34 | 20 | 34 | M12*1.75P | 1-13mm     | 4.21   |
| -165           | 263.8 | 165 | 128.5 | 38 | 34 | 20 | 34 | M12*1.75P | 1-13mm     | 4.39   |
| -200           | 301.8 | 200 | 163.5 | 38 | 34 | 20 | 34 | M12*1.75P | 1-13mm     | 4.6    |
| -ER25-100      | 201.8 | 100 | 63.5  | 38 | 42 | 25 | 42 | M16*2.0P  | 1-16mm     | 4.1    |
| -135           | 236.8 | 135 | 98.5  | 38 | 42 | 25 | 42 | M16*2.0P  | 1-16mm     | 4.45   |
| -165           | 266.8 | 165 | 128.5 | 38 | 42 | 25 | 42 | M16*2.0P  | 1-16mm     | 4.75   |
| -200           | 301.8 | 200 | 163.5 | 38 | 42 | 25 | 42 | M16*2.0P  | 1-16mm     | 5.1    |
| -250           | 351.8 | 250 | 213.5 | 38 | 42 | 25 | 42 | M16*2.0P  | 1-16mm     | 5.8    |
| -300           | 401.8 | 300 | 263.5 | 38 | 42 | 25 | 42 | M16*2.0P  | 1-16mm     | 6.2    |
| -ER32-100      | 201.8 | 100 | 63.5  | 38 | 50 | 32 | 50 | M16*2.0P  | 1-20mm     | 4.2    |
| -135           | 236.8 | 135 | 98.5  | 38 | 50 | 32 | 50 | M16*2.0P  | 1-20mm     | 4.725  |
| -165           | 266.8 | 165 | 128.5 | 38 | 50 | 32 | 50 | M16*2.0P  | 1-20mm     | 5.175  |
| -200           | 301.8 | 200 | 163.5 | 38 | 50 | 32 | 50 | M16*2.0P  | 1-20mm     | 5.7    |
| -250           | 351.8 | 250 | 213.5 | 38 | 50 | 32 | 50 | M16*2.0P  | 1-20mm     | 6.3    |
| -300           | 401.8 | 300 | 263.5 | 38 | 50 | 32 | 50 | M16*2.0P  | 1-20mm     | 7.2    |
| -ER40-100      | 201.8 | 100 | 63.5  | 38 | 63 | 40 | 63 | M20*2.0P  | 2-26mm     | 4.5    |
| -135           | 236.8 | 135 | 98.5  | 38 | 63 | 40 | 63 | M20*2.0P  | 2-26mm     | 5.27   |
| -165           | 266.8 | 165 | 128.5 | 38 | 63 | 40 | 63 | M20*2.0P  | 2-26mm     | 5.93   |
| -200           | 301.8 | 200 | 163.5 | 38 | 63 | 40 | 63 | M20*2.0P  | 2-26mm     | 6.7    |
| -250           | 351.3 | 250 | 213.5 | 38 | 63 | 40 | 63 | M20*2.0P  | 2-26mm     | 7.8    |
| -300           | 401.8 | 300 | 263.5 | 38 | 63 | 40 | 63 | M20*2.0P  | 2-26mm     | 9      |
| -ER50-100      | 201.8 | 100 | 63.5  | 38 | 78 | 50 | 78 | M24*2.0P  | 5-34mm     | 3.9    |
| -150           | 251.8 | 150 | 113.5 | 38 | 78 | 50 | 78 | M24*2.0P  | 5-34mm     | 6.2    |

规格说明:



· SBT30-FMH 端面出水铣刀柄

SBT30-FMH FACE MILL HOLDER - COOLANT TYPE



FIG. 1

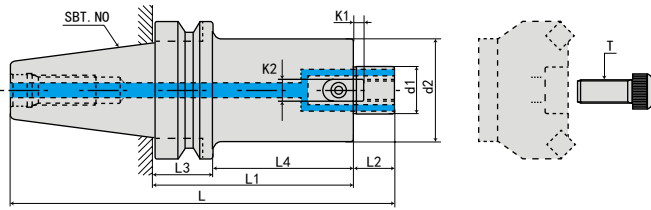
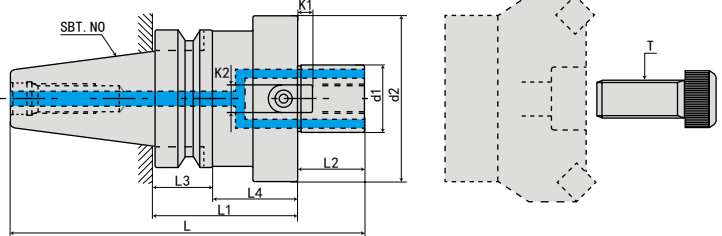
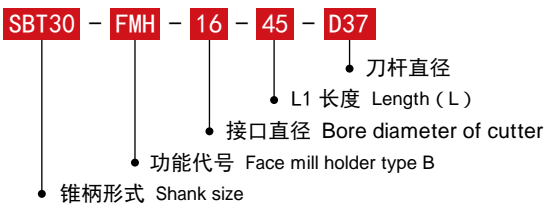


FIG. 2



| 规格 Model            | L     | L1 | L2 | L3 | L4 | d1    | d2 | K1   | K2   | T         | FIG | 重量 KGS |
|---------------------|-------|----|----|----|----|-------|----|------|------|-----------|-----|--------|
| SBT30- FMH16-45-D37 | 110.4 | 45 | 17 | 22 | 24 | 16    | 37 | 3.2  | 8    | M8*1.25P  | 1   |        |
| -60-D37             | 125.4 | 60 | 17 | 22 | 39 | 16    | 37 | 3.2  | 8    | M8*1.25P  | 1   | 0.5    |
| - FMH22-45-D47      | 111.4 | 45 | 18 | 22 | 24 | 22    | 47 | 4.8  | 10   | M10*1.5P  | 2   | 0.75   |
| -60-D47             | 126.4 | 60 | 18 | 22 | 39 | 22    | 47 | 4.8  | 10   | M10*1.5P  | 2   | 1.5    |
| - FMH27-45-D60      | 113.4 | 45 | 20 | 22 | 24 | 27    | 60 | 5.8  | 12   | M12*1.75P | 2   | 1.45   |
| -60-D60             | 128.4 | 60 | 20 | 22 | 39 | 27    | 60 | 5.8  | 12   | M12*1.75P | 2   | 1.45   |
| - FMH32-45-D68      | 115.4 | 45 | 22 | 22 | 24 | 32    | 68 | 6.8  | 14   | M16*2.0P  | 2   | 1.5    |
| -60-D68             | 130.4 | 60 | 22 | 22 | 39 | 32    | 68 | 6.8  | 14   | M16*2.0P  | 2   | 1.5    |
| - FMH25.4-45-D60    | 113.4 | 45 | 20 | 22 | 24 | 25.4  | 60 | 4.52 | 9.52 | M12*1.75P | 2   | 1.1    |
| -60-D60             | 128.4 | 60 | 20 | 22 | 39 | 25.4  | 60 | 4.52 | 9.52 | M12*1.75P | 2   | 1.3    |
| -FMH31.75-45-D68    | 115.4 | 45 | 22 | 22 | 24 | 31.75 | 68 | 6.7  | 12.7 | M16*2.0P  | 2   | 1.35   |
| -60-D68             | 130.4 | 60 | 22 | 22 | 39 | 31.75 | 68 | 6.7  | 12.7 | M16*2.0P  | 2   | 1.5    |

规格说明:



D  
SBT SHANK SYSTEMS  
SBT 刀柄系列

· SBT40-FMH 端面出水铣刀柄

SBT40-FMH FACE MILL HOLDER - COOLANT TYPE



FIG. 1

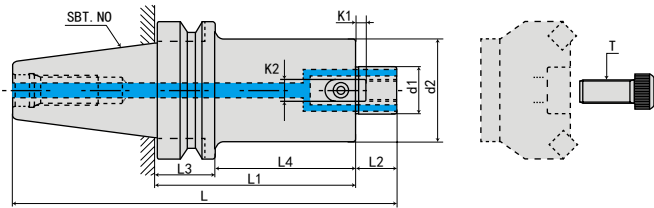
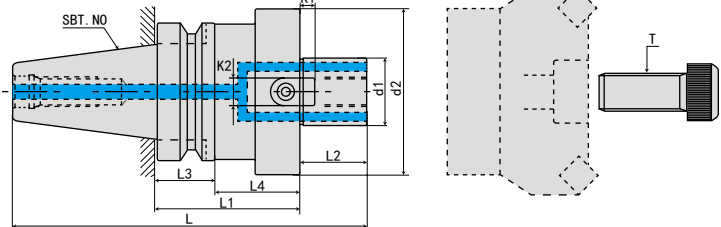
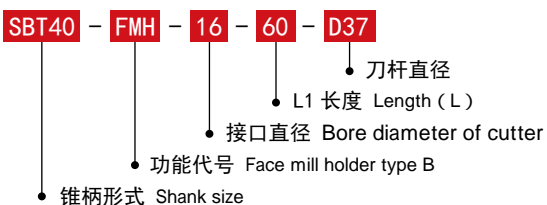


FIG. 2



| 规格 Model             | L     | L1  | L2 | L3 | L4  | d1    | d2 | K1   | K2    | T         | FIG | 重量 KGS |
|----------------------|-------|-----|----|----|-----|-------|----|------|-------|-----------|-----|--------|
| SBT40- FMH16- 60-D37 | 142.4 | 60  | 17 | 27 | 34  | 16    | 37 | 3.2  | 8     | M8*1.25P  | 1   | 1.3    |
| - 100-D37            | 182.4 | 100 | 17 | 27 | 74  | 16    | 37 | 3.2  | 8     | M8*1.25P  | 1   | 1.4    |
| - FMH22- 45-D47      | 128.4 | 45  | 18 | 27 | 19  | 22    | 47 | 4.8  | 10    | M10*1.5P  | 1   | 1.29   |
| - 60-D47             | 143.4 | 60  | 18 | 27 | 34  | 22    | 47 | 4.8  | 10    | M10*1.5P  | 1   | 1.5    |
| - 100-D47            | 183.4 | 100 | 18 | 27 | 74  | 22    | 47 | 4.8  | 10    | M10*1.5P  | 1   | 2.05   |
| - 150-D47            | 233.4 | 150 | 18 | 27 | 124 | 22    | 47 | 4.8  | 10    | M10*1.5P  | 1   | 2.75   |
| - 200-D47            | 283.4 | 200 | 18 | 27 | 174 | 22    | 47 | 4.8  | 10    | M10*1.5P  | 1   | 3.6    |
| - 250-D47            | 333.4 | 250 | 18 | 27 | 224 | 22    | 47 | 4.8  | 10    | M10*1.5P  | 1   | 4.25   |
| - FMH27- 45-D60      | 130.4 | 45  | 20 | 27 | 19  | 27    | 60 | 5.8  | 12    | M12*1.75P | 1   | 2.23   |
| - 60-D60             | 145.4 | 60  | 20 | 27 | 34  | 27    | 60 | 5.8  | 12    | M12*1.75P | 1   | 2.35   |
| - 100-D60            | 185.4 | 100 | 20 | 27 | 74  | 27    | 60 | 5.8  | 12    | M12*1.75P | 1   | 3.1    |
| - 150-D60            | 235.4 | 150 | 20 | 27 | 124 | 27    | 60 | 5.8  | 12    | M12*1.75P | 1   | 3.9    |
| - 200-D60            | 285.4 | 200 | 20 | 27 | 174 | 27    | 60 | 5.8  | 12    | M12*1.75P | 1   | 4.8    |
| - FMH32- 45-D68      | 132.4 | 45  | 22 | 27 | 19  | 32    | 68 | 6.8  | 14    | M16*2.0P  | 2   | 1.78   |
| - 60-D68             | 147.4 | 60  | 22 | 27 | 34  | 32    | 68 | 6.8  | 14    | M16*2.0P  | 2   | 1.9    |
| - 100-D68            | 187.4 | 100 | 22 | 27 | 74  | 32    | 68 | 6.8  | 14    | M16*2.0P  | 2   | 2.8    |
| - 150-D68            | 237.4 | 150 | 22 | 27 | 124 | 32    | 68 | 6.8  | 14    | M16*2.0P  | 2   | 3.6    |
| - FMH40- 45-D78      | 135.4 | 45  | 25 | 27 | 19  | 40    | 78 | 8.3  | 16    | M16*2.0P  | 2   | 2.605  |
| - 60-D78             | 150.4 | 60  | 25 | 27 | 34  | 40    | 78 | 8.3  | 16    | M16*2.0P  | 2   | 2.8    |
| - 100-D78            | 190.4 | 100 | 25 | 27 | 74  | 40    | 78 | 8.3  | 16    | M16*2.0P  | 2   | 3.6    |
| - 150-D78            | 240.4 | 150 | 25 | 27 | 124 | 40    | 78 | 8.3  | 16    | M16*2.0P  | 2   | 4.9    |
| - FMH25.4- 45-D60    | 130.4 | 45  | 20 | 27 | 19  | 25.4  | 60 | 4.52 | 9.52  | M12*1.75P | 1   | 1.395  |
| - 60-D60             | 145.4 | 60  | 20 | 27 | 34  | 25.4  | 60 | 4.52 | 9.52  | M12*1.75P | 1   | 1.5    |
| - 100-D60            | 185.4 | 100 | 20 | 27 | 74  | 25.4  | 60 | 4.52 | 9.52  | M12*1.75P | 1   | 2.05   |
| - 150-D60            | 235.4 | 150 | 20 | 27 | 124 | 25.4  | 60 | 4.52 | 9.52  | M12*1.75P | 1   | 2.75   |
| - 200-D60            | 285.4 | 200 | 20 | 27 | 174 | 25.4  | 60 | 4.52 | 9.52  | M12*1.75P | 1   | 3.6    |
| -FMH31.75- 45-D68    | 132.4 | 45  | 22 | 27 | 19  | 31.75 | 68 | 6.7  | 12.7  | M16*2.0P  | 2   | 1.87   |
| - 60-D68             | 147.4 | 60  | 22 | 27 | 34  | 31.75 | 68 | 6.7  | 12.7  | M16*2.0P  | 2   | 2.05   |
| - 100-D68            | 187.4 | 100 | 22 | 27 | 74  | 31.75 | 68 | 6.7  | 12.7  | M16*2.0P  | 2   | 2.9    |
| - 150-D68            | 237.4 | 150 | 22 | 27 | 124 | 31.75 | 68 | 6.7  | 12.7  | M16*2.0P  | 2   | 4.1    |
| - FMH38.1- 45-D78    | 135.4 | 45  | 25 | 27 | 19  | 38.1  | 78 | 8.87 | 15.87 | M16*2.0P  | 2   | 1.78   |
| - 60-D78             | 150.4 | 60  | 25 | 27 | 34  | 38.1  | 78 | 8.87 | 15.87 | M16*2.0P  | 2   | 2.1    |
| - 100-D78            | 190.4 | 100 | 25 | 27 | 74  | 38.1  | 78 | 8.87 | 15.87 | M16*2.0P  | 2   | 2.95   |
| - 150-D78            | 240.4 | 150 | 25 | 27 | 124 | 38.1  | 78 | 8.87 | 15.87 | M16*2.0P  | 2   | 4.02   |

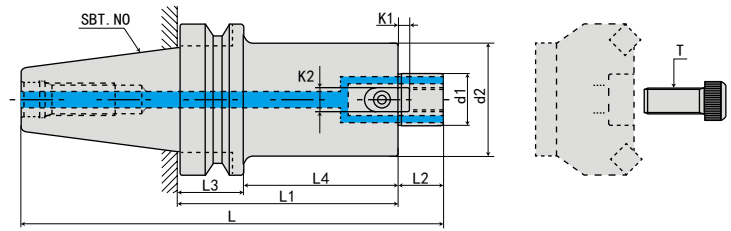
规格说明:





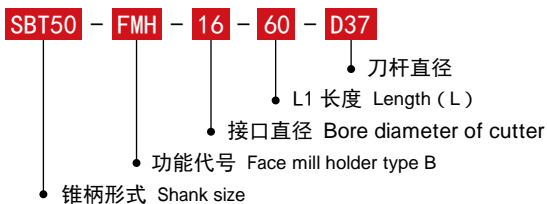
· SBT50-FMH 端面出水铣刀柄

SBT50-FMH FACE MILL HOLDER - COOLANT TYPE



| 规格 Model            | L     | L1  | L2 | L3 | L4    | d1 | d2 | K1  | K2 | T         | 重量 KGS |
|---------------------|-------|-----|----|----|-------|----|----|-----|----|-----------|--------|
| SBT50-FMH16- 60-D37 | 178.8 | 60  | 17 | 38 | 23.5  | 16 | 37 | 3.2 | 8  | M8*1.25P  | 4.0    |
| - 100-D37           | 218.8 | 100 | 17 | 38 | 63.5  | 16 | 37 | 3.2 | 8  | M8*1.25P  | 4.2    |
| - 150-D37           | 268.3 | 150 | 17 | 38 | 113.5 | 16 | 37 | 3.2 | 8  | M8*1.25P  | 4.5    |
| - 200-D37           | 318.8 | 200 | 17 | 38 | 163.5 | 16 | 37 | 3.2 | 8  | M8*1.25P  | 4.8    |
| -FMH22- 60-D47      | 179.8 | 60  | 18 | 38 | 23.5  | 22 | 47 | 4.8 | 10 | M10*1.5P  | 4.6    |
| - 100-D47           | 219.8 | 100 | 18 | 38 | 63.5  | 22 | 47 | 4.8 | 10 | M10*1.5P  | 4.55   |
| - 150-D47           | 269.8 | 150 | 18 | 38 | 113.5 | 22 | 47 | 4.8 | 10 | M10*1.5P  | 5.25   |
| - 200-D47           | 319.8 | 200 | 18 | 38 | 163.5 | 22 | 47 | 4.8 | 10 | M10*1.5P  | 6      |
| - 250-D47           | 369.8 | 250 | 18 | 38 | 213.5 | 22 | 47 | 4.8 | 10 | M10*1.5P  | 7      |
| - 300-D47           | 419.8 | 300 | 18 | 38 | 263.5 | 22 | 47 | 4.8 | 10 | M10*1.5P  | 7.7    |
| - 350-D47           | 469.8 | 350 | 18 | 38 | 313.5 | 22 | 47 | 4.8 | 10 | M10*1.5P  | 8.4    |
| - 400-D47           | 519.8 | 400 | 18 | 38 | 363.5 | 22 | 47 | 4.8 | 10 | M10*1.5P  | 9.2    |
| - 450-D47           | 569.8 | 450 | 18 | 38 | 413.5 | 22 | 47 | 4.8 | 10 | M10*1.5P  | 10     |
| - 500-D47           | 619.8 | 500 | 18 | 38 | 463.5 | 22 | 47 | 4.8 | 10 | M10*1.5P  | 11.2   |
| -FMH22- 60-D60      | 179.8 | 60  | 18 | 38 | 23.5  | 22 | 60 | 4.8 | 10 | M10*1.5P  | 4.4    |
| - 100-D60           | 219.8 | 100 | 18 | 38 | 63.5  | 22 | 60 | 4.8 | 10 | M10*1.5P  | 5.2    |
| - 150-D60           | 269.8 | 150 | 18 | 38 | 113.5 | 22 | 60 | 4.8 | 10 | M10*1.5P  | 6.3    |
| - 200-D60           | 319.8 | 200 | 18 | 38 | 163.5 | 22 | 60 | 4.8 | 10 | M10*1.5P  | 7.2    |
| - 250-D60           | 369.8 | 250 | 18 | 38 | 213.5 | 22 | 60 | 4.8 | 10 | M10*1.5P  | 8.3    |
| - 300-D60           | 419.8 | 300 | 18 | 38 | 263.5 | 22 | 60 | 4.8 | 10 | M10*1.5P  |        |
| - 350-D60           | 469.8 | 350 | 18 | 38 | 313.5 | 22 | 60 | 4.8 | 10 | M10*1.5P  |        |
| - 400-D60           | 519.8 | 400 | 18 | 38 | 363.5 | 22 | 60 | 4.8 | 10 | M10*1.5P  |        |
| - 450-D60           | 569.8 | 450 | 18 | 38 | 413.5 | 22 | 60 | 4.8 | 10 | M10*1.5P  |        |
| - 500-D60           | 619.8 | 500 | 18 | 38 | 463.5 | 22 | 60 | 4.8 | 10 | M10*1.5P  |        |
| -FMH27- 45-D60      | 166.8 | 45  | 20 | 38 | 8.5   | 27 | 60 | 5.8 | 12 | M12*1.75P |        |
| - 60-D60            | 181.8 | 60  | 20 | 38 | 23.5  | 27 | 60 | 5.8 | 12 | M12*1.75P | 4.5    |
| - 100-D60           | 221.8 | 100 | 20 | 38 | 63.5  | 27 | 60 | 5.8 | 12 | M12*1.75P | 5.3    |
| - 150-D60           | 271.8 | 150 | 20 | 38 | 113.5 | 27 | 60 | 5.8 | 12 | M12*1.75P | 6.2    |
| - 200-D60           | 321.8 | 200 | 20 | 38 | 163.5 | 27 | 60 | 5.8 | 12 | M12*1.75P | 7.2    |
| - 250-D60           | 371.8 | 250 | 20 | 38 | 213.5 | 27 | 60 | 5.8 | 12 | M12*1.75P | 8.4    |
| - 300-D60           | 421.8 | 300 | 20 | 38 | 263.5 | 27 | 60 | 5.8 | 12 | M12*1.75P |        |
| - 350-D60           | 471.8 | 350 | 20 | 38 | 313.5 | 27 | 60 | 5.8 | 12 | M12*1.75P |        |
| - 400-D60           | 521.8 | 400 | 20 | 38 | 363.5 | 27 | 60 | 5.8 | 12 | M12*1.75P |        |
| - 450-D60           | 571.8 | 450 | 20 | 38 | 413.5 | 27 | 60 | 5.8 | 12 | M12*1.75P |        |
| - 500-D60           | 621.8 | 500 | 20 | 38 | 463.5 | 27 | 60 | 5.8 | 12 | M12*1.75P |        |

规格说明:



D  
SBT SHANK SYSTEMS  
SBT 刀柄系统

· SBT50-FMH 端面出水铣刀柄

SBT50-FMH FACE MILL HOLDER - COOLANT TYPE



FIG. 1

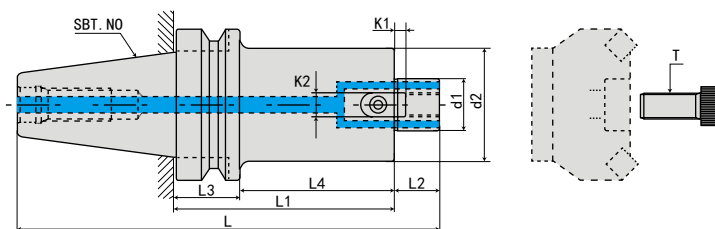
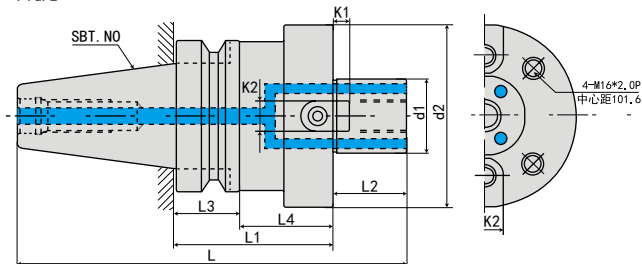


FIG. 2



| 规格 Model            | L     | L1  | L2 | L3 | L4    | d1 | d2  | K1   | K2   | T         | FIG | 重量 KGS |
|---------------------|-------|-----|----|----|-------|----|-----|------|------|-----------|-----|--------|
| SBT50-FMH27- 45-D76 | 166.8 | 45  | 20 | 38 | 8.5   | 27 | 76  | 5.8  | 12   | M12*1.75P | 1   |        |
| - 60-D76            | 181.8 | 60  | 20 | 38 | 23.5  | 27 | 76  | 5.8  | 12   | M12*1.75P | 1   |        |
| -100-D76            | 221.8 | 100 | 20 | 38 | 63.5  | 27 | 76  | 5.8  | 12   | M12*1.75P | 1   |        |
| -150-D76            | 271.8 | 150 | 20 | 38 | 113.5 | 27 | 76  | 5.8  | 12   | M12*1.75P | 1   |        |
| -200-D76            | 321.8 | 200 | 20 | 38 | 163.5 | 27 | 76  | 5.8  | 12   | M12*1.75P | 1   |        |
| -250-D76            | 371.8 | 250 | 20 | 38 | 213.5 | 27 | 76  | 5.8  | 12   | M12*1.75P | 1   |        |
| -300-D76            | 421.8 | 300 | 20 | 38 | 263.5 | 27 | 76  | 5.8  | 12   | M12*1.75P | 1   |        |
| -350-D76            | 471.8 | 350 | 20 | 38 | 313.5 | 27 | 76  | 5.8  | 12   | M12*1.75P | 1   |        |
| -400-D76            | 521.8 | 400 | 20 | 38 | 363.5 | 27 | 76  | 5.8  | 12   | M12*1.75P | 1   |        |
| -450-D76            | 571.8 | 450 | 20 | 38 | 413.5 | 27 | 76  | 5.8  | 12   | M12*1.75P | 1   |        |
| -500-D76            | 621.8 | 500 | 20 | 38 | 463.5 | 27 | 76  | 5.8  | 12   | M12*1.75P | 1   |        |
| -FMH32- 45-D96      | 168.8 | 45  | 22 | 38 | 8.5   | 32 | 96  | 6.8  | 14   | M16*2.0P  | 1   |        |
| - 60-D96            | 183.8 | 60  | 22 | 38 | 23.5  | 32 | 96  | 6.8  | 14   | M16*2.0P  | 1   | 5.3    |
| -100-D96            | 223.8 | 100 | 22 | 38 | 63.5  | 32 | 96  | 6.8  | 14   | M16*2.0P  | 1   | 7.5    |
| -150-D96            | 273.8 | 150 | 22 | 38 | 113.5 | 32 | 96  | 6.8  | 14   | M16*2.0P  | 1   | 10.1   |
| -200-D96            | 323.8 | 200 | 22 | 38 | 163.5 | 32 | 96  | 6.8  | 14   | M16*2.0P  | 1   | 13     |
| -250-D96            | 373.8 | 250 | 22 | 38 | 213.5 | 32 | 96  | 6.8  | 14   | M16*2.0P  | 1   |        |
| -300-D96            | 423.8 | 300 | 22 | 38 | 263.5 | 32 | 96  | 6.8  | 14   | M16*2.0P  | 1   |        |
| -350-D96            | 473.8 | 350 | 22 | 38 | 313.5 | 32 | 96  | 6.8  | 14   | M16*2.0P  | 1   |        |
| -FMH40- 45-D100     | 171.8 | 45  | 25 | 38 | 8.5   | 40 | 100 | 8.3  | 16   | M16*2.0P  | 1   |        |
| - 60-D100           | 186.8 | 60  | 25 | 38 | 23.5  | 40 | 100 | 8.3  | 16   | M16*2.0P  | 1   | 5.7    |
| -100-D100           | 226.8 | 100 | 25 | 38 | 63.5  | 40 | 100 | 8.3  | 16   | M16*2.0P  | 1   | 8.2    |
| -150-D100           | 276.8 | 150 | 25 | 38 | 113.5 | 40 | 100 | 8.3  | 16   | M16*2.0P  | 1   | 10.8   |
| -200-D100           | 326.8 | 200 | 25 | 38 | 163.5 | 40 | 100 | 8.3  | 16   | M16*2.0P  | 1   | 13.9   |
| -250-D100           | 376.8 | 250 | 25 | 38 | 213.5 | 40 | 100 | 8.3  | 16   | M16*2.0P  | 1   |        |
| -300-D100           | 426.8 | 300 | 25 | 38 | 263.5 | 40 | 100 | 8.3  | 16   | M16*2.0P  | 1   |        |
| -FMH60- 75-D128     | 201.8 | 75  | 25 | 38 | 38.5  | 60 | 128 | 12.5 | 25.4 | M16*2.0P  | 2   |        |
| -100-D128           | 226.8 | 100 | 25 | 38 | 63.5  | 60 | 128 | 12.5 | 25.4 | M16*2.0P  | 2   |        |
| -150-D128           | 276.8 | 150 | 25 | 38 | 113.5 | 60 | 128 | 12.5 | 25.4 | M16*2.0P  | 2   |        |

规格说明:



· SBT50-FMH 端面出水铣刀柄

SBT50-FMH FACE MILL HOLDER - COOLANT TYPE



FIG. 1

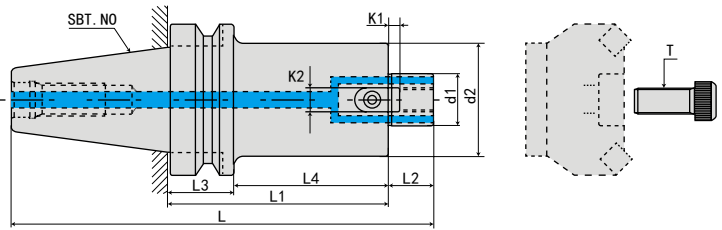
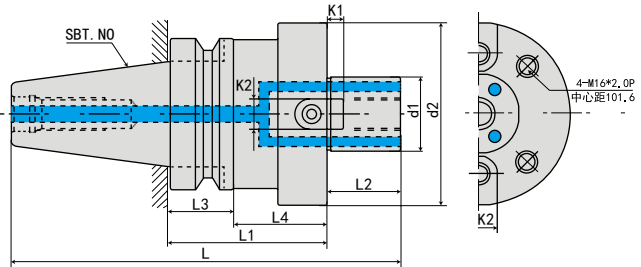
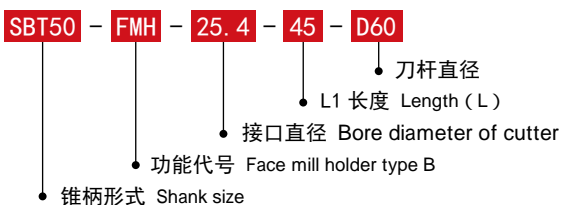


FIG. 2



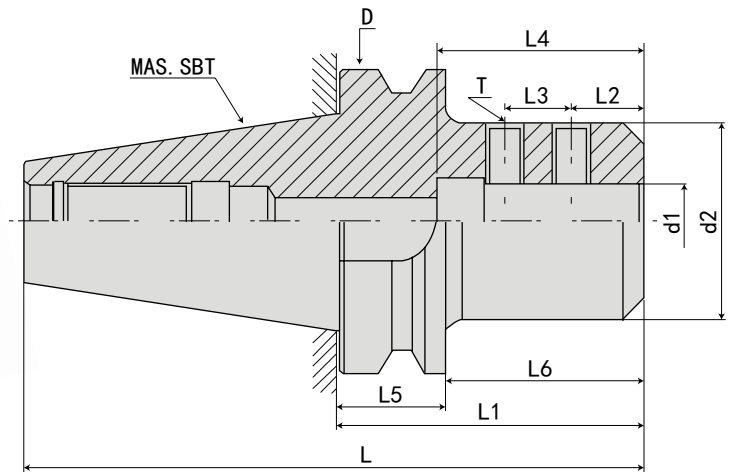
| 规格 Model             | L     | L1  | L2 | L3 | L4    | d1     | d2  | K1   | K2    | T         | FIG | 重量 KGS |
|----------------------|-------|-----|----|----|-------|--------|-----|------|-------|-----------|-----|--------|
| SBT50-FMH25.4-45-D60 | 166.8 | 45  | 20 | 38 | 8.5   | 25.4   | 60  | 4.52 | 9.52  | M12*1.75P | 1   |        |
| -60-D60              | 181.8 | 60  | 20 | 38 | 23.5  | 25.4   | 60  | 4.52 | 9.52  | M12*1.75P | 1   | 4.5    |
| -100-D60             | 221.8 | 100 | 20 | 38 | 63.5  | 25.4   | 60  | 4.52 | 9.52  | M12*1.75P | 1   | 5.3    |
| -150-D60             | 271.8 | 150 | 20 | 38 | 113.5 | 25.4   | 60  | 4.52 | 9.52  | M12*1.75P | 1   | 6.4    |
| -200-D60             | 321.8 | 200 | 20 | 38 | 163.5 | 25.4   | 60  | 4.52 | 9.52  | M12*1.75P | 1   | 7.4    |
| -250-D60             | 371.8 | 250 | 20 | 38 | 213.5 | 25.4   | 60  | 4.52 | 9.52  | M12*1.75P | 1   |        |
| -300-D60             | 421.8 | 300 | 20 | 38 | 263.5 | 25.4   | 60  | 4.52 | 9.52  | M12*1.75P | 1   |        |
| -45-D76              | 166.8 | 45  | 20 | 38 | 8.5   | 25.4   | 76  | 4.52 | 9.52  | M12*1.75P | 1   |        |
| -60-D76              | 181.8 | 60  | 20 | 38 | 23.5  | 25.4   | 76  | 4.52 | 9.52  | M12*1.75P | 1   |        |
| -100-D76             | 221.8 | 100 | 20 | 38 | 63.5  | 25.4   | 76  | 4.52 | 9.52  | M12*1.75P | 1   |        |
| -150-D76             | 271.8 | 150 | 20 | 38 | 113.5 | 25.4   | 76  | 4.52 | 9.52  | M12*1.75P | 1   |        |
| -200-D76             | 321.8 | 200 | 20 | 38 | 163.5 | 25.4   | 76  | 4.52 | 9.52  | M12*1.75P | 1   |        |
| -250-D76             | 371.8 | 250 | 20 | 38 | 213.5 | 25.4   | 76  | 4.52 | 9.52  | M12*1.75P | 1   |        |
| -300-D76             | 421.8 | 300 | 20 | 38 | 263.5 | 25.4   | 76  | 4.52 | 9.52  | M12*1.75P | 1   |        |
| -FMH31.75-45-D96     | 168.8 | 45  | 22 | 38 | 8.5   | 31.75  | 96  | 6.7  | 12.7  | M16*2.0P  | 1   |        |
| -60-D96              | 183.8 | 60  | 22 | 38 | 23.5  | 31.75  | 96  | 6.7  | 12.7  | M16*2.0P  | 1   | 5.3    |
| -100-D96             | 223.8 | 100 | 22 | 38 | 63.5  | 31.75  | 96  | 6.7  | 12.7  | M16*2.0P  | 1   | 7.5    |
| -150-D96             | 273.8 | 150 | 22 | 38 | 113.5 | 31.75  | 96  | 6.7  | 12.7  | M16*2.0P  | 1   | 10.3   |
| -200-D96             | 323.8 | 200 | 22 | 38 | 163.5 | 31.75  | 96  | 6.7  | 12.7  | M16*2.0P  | 1   | 13     |
| -250-D96             | 373.8 | 250 | 22 | 38 | 213.5 | 31.75  | 96  | 6.7  | 12.7  | M16*2.0P  | 1   |        |
| -300-D96             | 423.8 | 300 | 22 | 38 | 263.5 | 31.75  | 96  | 6.7  | 12.7  | M16*2.0P  | 1   |        |
| -FMH38.1-45-D100     | 171.8 | 45  | 25 | 38 | 8.5   | 38.1   | 100 | 8.87 | 15.87 | M16*2.0P  | 1   |        |
| -60-D100             | 186.8 | 60  | 25 | 38 | 23.5  | 38.1   | 100 | 8.87 | 15.87 | M16*2.0P  | 1   | 5.6    |
| -100-D100            | 226.8 | 100 | 25 | 38 | 63.5  | 38.1   | 100 | 8.87 | 15.87 | M16*2.0P  | 1   | 8      |
| -150-D100            | 276.8 | 150 | 25 | 38 | 113.5 | 38.1   | 100 | 8.87 | 15.87 | M16*2.0P  | 1   |        |
| -200-D100            | 326.8 | 200 | 25 | 38 | 163.5 | 38.1   | 100 | 8.87 | 15.87 | M16*2.0P  | 1   |        |
| -250-D100            | 376.8 | 250 | 25 | 38 | 213.5 | 38.1   | 100 | 8.87 | 15.87 | M16*2.0P  | 1   |        |
| -300-D100            | 426.8 | 300 | 25 | 38 | 263.5 | 38.1   | 100 | 8.87 | 15.87 | M16*2.0P  | 1   |        |
| -FMH47.625-75-D128   | 201.8 | 75  | 25 | 38 | 38.5  | 47.625 | 128 | 12.5 | 25.4  | M16*2.0P  | 2   | 7.9    |
| -100-D128            | 226.8 | 100 | 25 | 38 | 63.5  | 47.625 | 128 | 12.5 | 25.4  | M16*2.0P  | 2   |        |
| -150-D128            | 276.8 | 150 | 25 | 38 | 113.5 | 47.625 | 128 | 12.5 | 25.4  | M16*2.0P  | 2   |        |

规格说明:



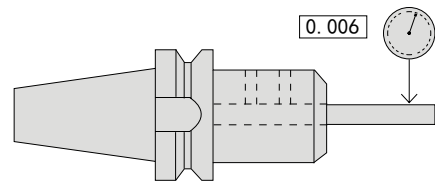
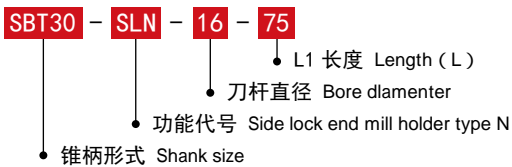
D  
SBT SHANK SYSTEMS  
SBT 刀柄系统

**· SBT30-SLN 侧固式刀柄 SBT30-SLN SIDE LOCK END MILL HOLDER**

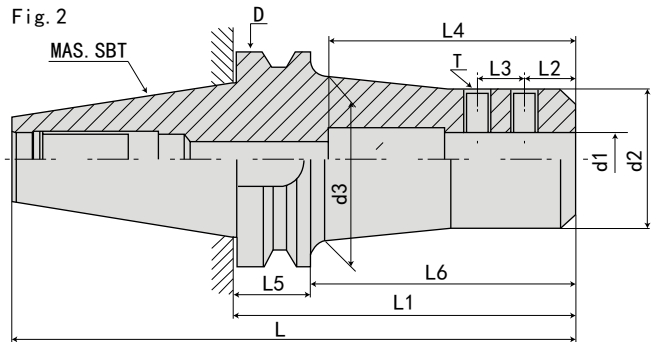
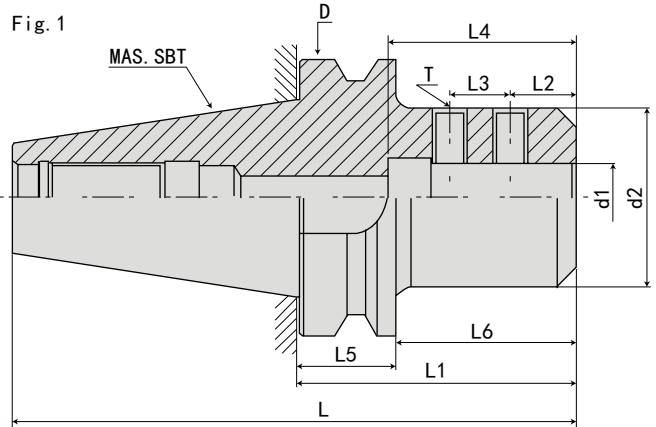


| 规格 Model       | L     | L1 | L2 | L3 | L4 | L5 | L6 | d1 | d2 | T        | 重量 KGS |
|----------------|-------|----|----|----|----|----|----|----|----|----------|--------|
| SBT30-SLN16-75 | 123.4 | 75 | 14 | 14 | 48 | 22 | 54 | 16 | 48 | M10*1.5P | 1.03   |
| -SLN20-75      | 123.4 | 75 | 14 | 14 | 50 | 22 | 54 | 20 | 48 | M10*1.5P | 0.98   |
| -SLN25-80      | 128.4 | 80 | 15 | 20 | 56 | 22 | 59 | 25 | 48 | M16*2.0P | 0.97   |
| -SLN32-85      | 133.4 | 85 | 15 | 20 | 60 | 22 | 59 | 32 | 63 | M16*2.0P | 1.38   |

**规格说明:**



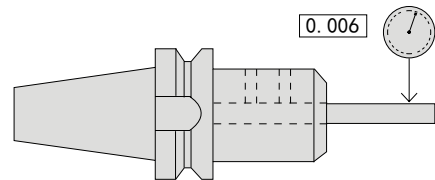
· SBT40-SLN 侧固式刀柄 SBT40-SLN SIDE LOCK END MILL HOLDER



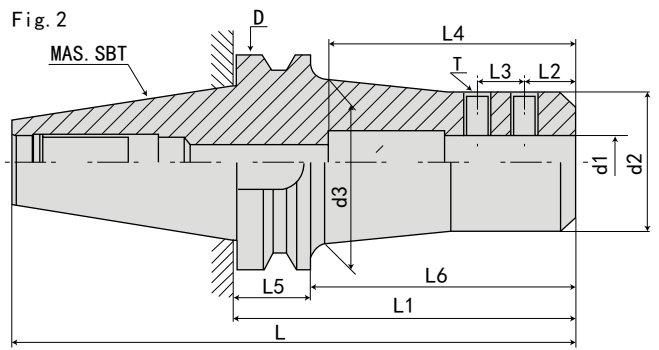
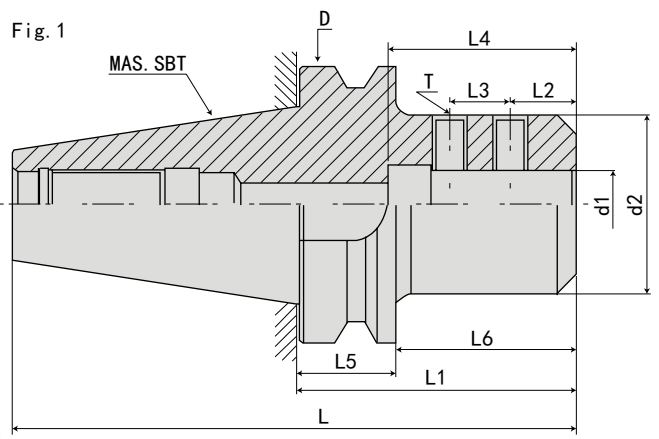
| 规格 Model        | L     | L1  | L2 | L3 | L4  | L5 | L6  | d1 | d2 | d3 | FIG | T         | 重量 KGS |
|-----------------|-------|-----|----|----|-----|----|-----|----|----|----|-----|-----------|--------|
| SBT40-SLN16-100 | 165.4 | 100 | 22 | 18 | 100 | 27 | 74  | 16 | 48 | -  | 1   | M10*1.5P  | 2      |
| -150            | 215.4 | 150 | 22 | 18 | 100 | 27 | 124 | 16 | 40 | 45 | 2   | M10*1.5P  | 2.2    |
| -200            | 265.4 | 200 | 22 | 18 | 100 | 27 | 174 | 16 | 40 | 45 | 2   | M10*1.5P  |        |
| -SLN20-100      | 165.4 | 100 | 25 | 20 | 110 | 27 | 74  | 20 | 52 | -  | 1   | M12*1.75P | 2      |
| -150            | 215.4 | 150 | 25 | 20 | 110 | 27 | 124 | 20 | 45 | 50 | 2   | M12*1.75P | 2.5    |
| -200            | 265.4 | 200 | 25 | 20 | 110 | 27 | 174 | 20 | 45 | 50 | 2   | M12*1.75P |        |
| -SLN25-100      | 165.4 | 100 | 24 | 25 | 120 | 27 | 74  | 25 | 65 | -  | 1   | M12*1.75P | 2.5    |
| -150            | 215.4 | 150 | 24 | 25 | 120 | 27 | 124 | 25 | 50 | 55 | 2   | M12*1.75P | 2.6    |
| -200            | 265.4 | 200 | 24 | 25 | 120 | 27 | 174 | 25 | 50 | 55 | 2   | M12*1.75P |        |
| -SLN32-100      | 165.4 | 100 | 24 | 28 | 120 | 27 | 74  | 32 | 65 | -  | 1   | M16*2.0P  | 2.4    |
| -150            | 215.4 | 150 | 24 | 28 | 120 | 27 | 124 | 32 | 58 | 63 | 2   | M16*2.0P  | 2.9    |
| -200            | 265.4 | 200 | 24 | 28 | 120 | 27 | 174 | 32 | 58 | 63 | 2   | M16*2.0P  |        |
| -SLN40-105      | 170.4 | 105 | 30 | 32 | 120 | 27 | 79  | 40 | 73 | -  | 1   | M16*2.0P  | 2.8    |
| -150            | 215.4 | 150 | 30 | 32 | 120 | 27 | 124 | 40 | 73 | -  | 1   | M16*2.0P  | 3.8    |
| -200            | 265.4 | 200 | 30 | 32 | 120 | 27 | 174 | 40 | 73 | -  | 1   | M16*2.0P  |        |

规格说明:

- SBT40 - SLN - 16 - 100
- L1 长度 Length (L)
  - 刀杆直径 Bore diameter
  - 功能代号 Side lock end mill holder type N
  - 锥柄形式 Shank size

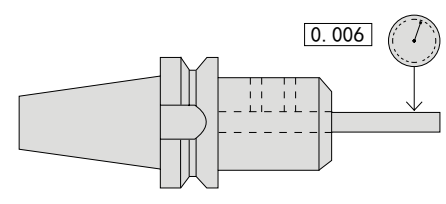
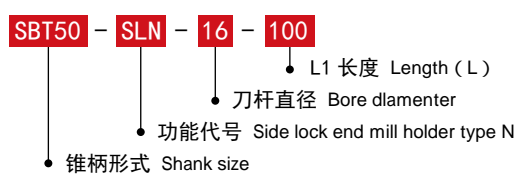


· SBT50-SLN 侧固式刀柄 SBT50-SLN SIDE LOCK END MILL HOLDER

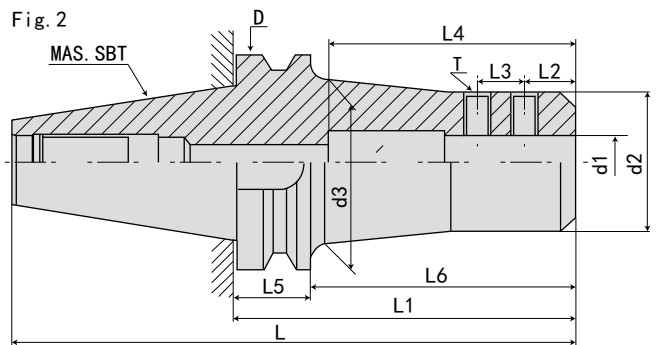
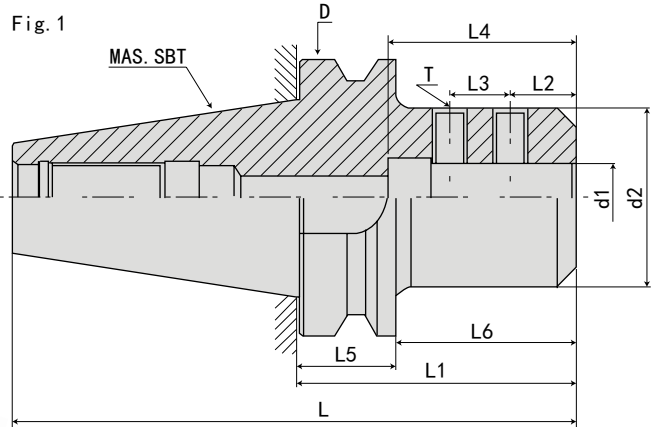


| 规格 Model        | L     | L1  | L2 | L3 | L4  | L5 | L6    | d1 | d2 | d3 | FIG | T         | 重量 KGS |
|-----------------|-------|-----|----|----|-----|----|-------|----|----|----|-----|-----------|--------|
| SBT50-SLN16-100 | 201.8 | 100 | 22 | 18 | 100 | 38 | 63.5  | 16 | 48 | -  | 1   | M10*1.5P  | 4.7    |
| -135            | 236.8 | 135 | 22 | 18 | 100 | 38 | 98.5  | 16 | 48 | -  | 1   | M10*1.5P  |        |
| -165            | 266.8 | 165 | 22 | 18 | 100 | 38 | 128.5 | 16 | 40 | 45 | 2   | M10*1.5P  |        |
| -200            | 301.8 | 200 | 22 | 18 | 100 | 38 | 163.5 | 16 | 40 | 45 | 2   | M10*1.5P  |        |
| -250            | 351.8 | 250 | 22 | 18 | 100 | 38 | 213.5 | 16 | 40 | 45 | 2   | M10*1.5P  |        |
| -SLN20-100      | 201.8 | 100 | 25 | 20 | 110 | 38 | 63.5  | 20 | 52 | -  | 1   | M12*1.75P | 4.8    |
| -135            | 236.8 | 135 | 25 | 20 | 110 | 38 | 98.5  | 20 | 52 | -  | 1   | M12*1.75P |        |
| -165            | 266.8 | 165 | 25 | 20 | 110 | 38 | 128.5 | 20 | 45 | 50 | 2   | M12*1.75P |        |
| -200            | 301.8 | 200 | 25 | 20 | 110 | 38 | 163.5 | 20 | 45 | 50 | 2   | M12*1.75P |        |
| -250            | 351.8 | 250 | 25 | 20 | 110 | 38 | 213.5 | 20 | 45 | 50 | 2   | M12*1.75P |        |
| -SLN25-105L     | 206.8 | 105 | 24 | 25 | 120 | 38 | 68.5  | 25 | 65 | -  | 1   | M12*1.75P | 5.4    |
| -135L           | 236.8 | 135 | 24 | 25 | 120 | 38 | 98.5  | 25 | 65 | -  | 1   | M12*1.75P |        |
| -165L           | 266.8 | 165 | 24 | 25 | 120 | 38 | 128.5 | 25 | 50 | 55 | 2   | M12*1.75P |        |
| -200            | 301.8 | 200 | 24 | 25 | 120 | 38 | 163.5 | 25 | 50 | 55 | 2   | M12*1.75P |        |
| -250            | 351.8 | 250 | 24 | 25 | 120 | 38 | 213.5 | 25 | 50 | 55 | 2   | M12*1.75P |        |
| -300            | 401.8 | 300 | 24 | 25 | 120 | 38 | 263.5 | 25 | 50 | 55 | 2   | M12*1.75P |        |
| -SLN32-105      | 206.8 | 105 | 24 | 28 | 120 | 38 | 68.5  | 32 | 72 | -  | 1   | M16*2.0P  | 5.5    |
| -135            | 236.8 | 135 | 24 | 28 | 120 | 38 | 98.5  | 32 | 72 | -  | 1   | M16*2.0P  |        |
| -165            | 266.8 | 165 | 24 | 28 | 120 | 38 | 128.5 | 32 | 60 | 65 | 2   | M16*2.0P  |        |
| -200            | 301.8 | 200 | 24 | 28 | 120 | 38 | 163.5 | 32 | 60 | 65 | 2   | M16*2.0P  |        |
| -250            | 351.8 | 250 | 24 | 28 | 120 | 38 | 213.5 | 32 | 60 | 65 | 2   | M16*2.0P  |        |
| -300            | 401.8 | 300 | 24 | 28 | 120 | 38 | 263.5 | 32 | 60 | 65 | 2   | M16*2.0P  |        |

规格说明:

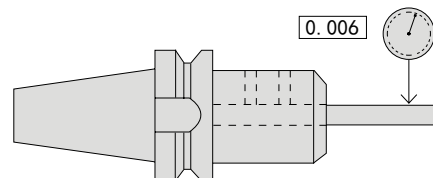
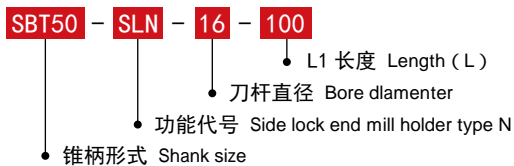


· SBT50-SLN 侧固式刀柄 SBT50-SLN SIDE LOCK END MILL HOLDER

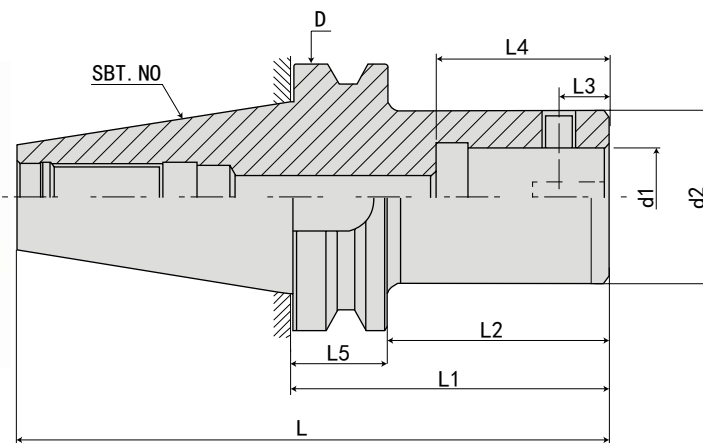


| 规格 Model        | L     | L1  | L2 | L3 | L4  | L5 | L6    | d1   | d2 | d3 | FIG | T        | 重量 KGS |
|-----------------|-------|-----|----|----|-----|----|-------|------|----|----|-----|----------|--------|
| SBT50-SLN40-115 | 216.8 | 115 | 30 | 32 | 120 | 38 | 78.5  | 40   | 80 | -  | 1   | M20*2.5P | 5.8    |
| - 135           | 236.8 | 135 | 30 | 32 | 120 | 38 | 98.5  | 40   | 80 | -  | 1   | M20*2.5P |        |
| - 165           | 266.8 | 165 | 30 | 32 | 120 | 38 | 128.5 | 40   | 70 | 75 | 2   | M16*2.0P |        |
| - 200           | 301.8 | 200 | 30 | 32 | 120 | 38 | 163.5 | 40   | 70 | 75 | 2   | M16*2.0P |        |
| - 250           | 351.8 | 250 | 30 | 32 | 120 | 38 | 213.5 | 40   | 70 | 75 | 2   | M16*2.0P |        |
| - 300           | 401.8 | 300 | 30 | 32 | 120 | 38 | 263.5 | 40   | 70 | 75 | 2   | M16*2.0P |        |
| - SLN42-115     | 216.8 | 115 | 30 | 32 | 120 | 38 | 78.5  | 42   | 80 | -  | 1   | M20*2.5P | 5.6    |
| - 135           | 236.8 | 135 | 30 | 32 | 120 | 38 | 98.5  | 42   | 80 | -  | 1   | M20*2.5P |        |
| - 165           | 266.8 | 165 | 30 | 32 | 120 | 38 | 128.5 | 42   | 70 | 75 | 2   | M16*2.0P |        |
| - 200           | 301.8 | 200 | 30 | 32 | 120 | 38 | 163.5 | 42   | 70 | 75 | 2   | M16*2.0P |        |
| - SLN50-120     | 221.8 | 120 | 35 | 35 | 120 | 38 | 78.5  | 50   | 90 | -  | 1   | M20*2.5P |        |
| - 150           | 251.8 | 150 | 35 | 35 | 120 | 38 | 113.5 | 50   | 85 | 90 | 2   | M20*2.5P |        |
| - 200           | 301.8 | 200 | 35 | 35 | 120 | 38 | 163.5 | 50   | 85 | 90 | 2   | M20*2.5P |        |
| -SLN50.8-120    | 221.8 | 120 | 35 | 35 | 120 | 38 | 78.5  | 50.8 | 90 | -  | 1   | M20*2.5P |        |
| - 150           | 251.8 | 150 | 35 | 35 | 120 | 38 | 113.5 | 50.8 | 85 | 90 | 2   | M20*2.5P |        |
| - 200           | 301.8 | 200 | 35 | 35 | 120 | 38 | 163.5 | 50.8 | 85 | 90 | 2   | M20*2.5P |        |

规格说明:



· SBT30-CK 镗头刀柄 SBT30-CK BORING HEAD SHANK



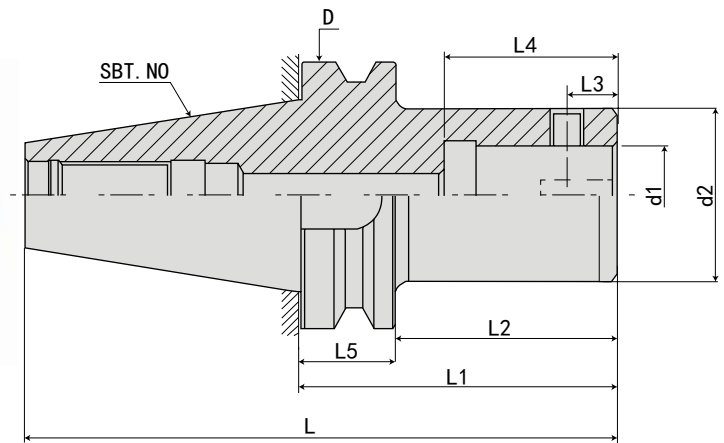
| 规格 Model      | L     | L1  | L2  | L3   | L4 | L5 | d1 | d2 | D  | T        | 重量 KGS |
|---------------|-------|-----|-----|------|----|----|----|----|----|----------|--------|
| SBT30-CK1-105 | 153.4 | 105 | 84  | 5.05 | 30 | 22 | 11 | 19 | 46 | M4*0.5P  | 0.51   |
| -CK2- 75      | 123.4 | 75  | 54  | 6.62 | 31 | 22 | 14 | 24 | 46 | M5*0.5P  | 0.44   |
| -120          | 168.4 | 120 | 99  | 6.62 | 31 | 22 | 14 | 24 | 46 | M5*0.5P  | 0.57   |
| -CK3- 80      | 128.4 | 80  | 59  | 8    | 35 | 22 | 18 | 31 | 46 | M6*0.75P | 0.45   |
| -120          | 168.4 | 120 | 99  | 8    | 35 | 22 | 18 | 31 | 46 | M6*0.75P | 0.67   |
| -CK4- 85      | 133.4 | 85  | 64  | 10   | 39 | 22 | 22 | 39 | 46 | M8*0.75P | 0.46   |
| -120          | 168.4 | 120 | 99  | 10   | 39 | 22 | 22 | 39 | 46 | M8*0.75P | 0.78   |
| -CK5- 85      | 133.4 | 85  | 64  | 13   | 45 | 22 | 28 | 50 | 46 | M10*1.0P | 0.76   |
| -120          | 168.4 | 120 | 99  | 13   | 45 | 22 | 28 | 50 | 46 | M10*1.0P | 0.80   |
| -CK6- 85      | 133.4 | 85  | 64  | 16   | 55 | 22 | 36 | 63 | 46 | M12*1.0P | 0.85   |
| -135          | 183.4 | 135 | 114 | 16   | 55 | 22 | 36 | 63 | 46 | M12*1.0P | 0.93   |

规格说明:





· SBT40-CK 镗头刀柄 SBT40-CK BORING HEAD SHANK



配件 Accessories



» P. J19

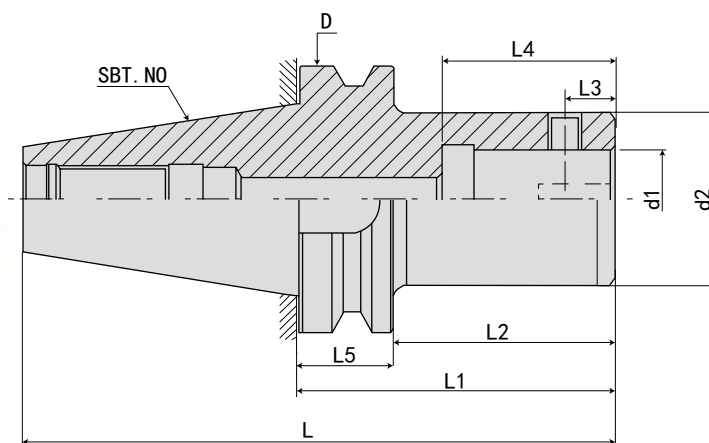
| 规格 Model      | L     | L1  | L2  | L3   | L4 | L5 | d1 | d2 | D  | T        | 重量 KGS |
|---------------|-------|-----|-----|------|----|----|----|----|----|----------|--------|
| SBT40-CK1-105 | 170.4 | 105 | 79  | 5.05 | 30 | 27 | 11 | 19 | 63 | M4*0.5P  |        |
| -CK2- 80      | 145.4 | 80  | 54  | 6.62 | 31 | 27 | 14 | 24 | 63 | M5*0.5P  |        |
| -120          | 185.4 | 120 | 94  | 6.62 | 31 | 27 | 14 | 24 | 63 | M5*0.5P  |        |
| -CK3- 85      | 150.4 | 85  | 59  | 8    | 35 | 27 | 18 | 31 | 63 | M6*0.75P |        |
| -135          | 200.4 | 135 | 109 | 8    | 35 | 27 | 18 | 31 | 63 | M6*0.75P |        |
| -165          | 230.4 | 165 | 139 | 8    | 35 | 27 | 18 | 31 | 63 | M6*0.75P |        |
| -CK4- 90      | 155.4 | 90  | 64  | 10   | 39 | 27 | 22 | 39 | 63 | M8*0.75P |        |
| -135          | 200.4 | 135 | 109 | 10   | 39 | 27 | 22 | 39 | 63 | M8*0.75P |        |
| -165          | 230.4 | 165 | 139 | 10   | 39 | 27 | 22 | 39 | 63 | M8*0.75P |        |
| -195          | 260.4 | 195 | 169 | 10   | 39 | 27 | 22 | 39 | 63 | M8*0.75P |        |
| -CK5- 65      | 105.4 | 65  | 39  | 13   | 45 | 27 | 28 | 50 | 63 | M10*1.0P |        |
| -105          | 170.4 | 105 | 79  | 13   | 45 | 27 | 28 | 50 | 63 | M10*1.0P |        |
| -135          | 200.4 | 135 | 109 | 13   | 45 | 27 | 28 | 50 | 63 | M10*1.0P |        |
| -165          | 230.4 | 165 | 139 | 13   | 45 | 27 | 28 | 50 | 63 | M10*1.0P |        |
| -195          | 260.4 | 195 | 169 | 13   | 45 | 27 | 28 | 50 | 63 | M10*1.0P |        |
| -CK6- 65      | 130.4 | 65  | 39  | 16   | 55 | 27 | 36 | 63 | 63 | M12*1.0P |        |
| -105          | 170.4 | 105 | 79  | 16   | 55 | 27 | 36 | 63 | 63 | M12*1.0P |        |
| -135          | 200.4 | 135 | 109 | 16   | 55 | 27 | 36 | 63 | 63 | M12*1.0P |        |
| -165          | 230.4 | 165 | 139 | 16   | 55 | 27 | 36 | 63 | 63 | M12*1.0P |        |
| -195          | 260.4 | 195 | 169 | 16   | 55 | 27 | 36 | 63 | 63 | M12*1.0P |        |
| -245          | 310.4 | 245 | 219 | 16   | 55 | 27 | 36 | 63 | 63 | M12*1.0P |        |

规格说明:



D  
SBT 刀柄系列  
SBT SHANK SYSTEMS

· SBT50-CK 镗头刀柄 SBT50-CK BORING HEAD SHANK



配件 Accessories



» P. J19

| 规格 Model      | L     | L1  | L2    | L3   | L4 | L5 | d1 | d2 | D   | T        | 重量 KGS |
|---------------|-------|-----|-------|------|----|----|----|----|-----|----------|--------|
| SBT50-CK1-135 | 236.8 | 135 | 98.5  | 5.05 | 30 | 38 | 11 | 19 | 100 | M4*0.5P  | 4.3    |
| -CK2- 90      | 191.8 | 90  | 53.5  | 6.62 | 31 | 38 | 14 | 24 | 100 | M5*0.5P  |        |
| -115          | 216.8 | 115 | 78.5  | 6.62 | 31 | 38 | 14 | 24 | 100 | M5*0.5P  | 4.1    |
| -150          | 251.8 | 150 | 113.5 | 6.62 | 31 | 38 | 14 | 24 | 100 | M5*0.5P  | 4.5    |
| -CK3- 95      | 196.8 | 95  | 58.5  | 8    | 35 | 38 | 18 | 31 | 100 | M6*0.75P |        |
| -125          | 226.8 | 125 | 88.5  | 8    | 35 | 38 | 18 | 31 | 100 | M6*0.75P | 4.3    |
| -165          | 266.8 | 165 | 128.5 | 8    | 35 | 38 | 18 | 31 | 100 | M6*0.75P | 4.7    |
| -205          | 306.8 | 205 | 168.5 | 8    | 35 | 38 | 18 | 31 | 100 | M6*0.75P | 4.9    |
| -CK4-105      | 206.8 | 105 | 68.5  | 10   | 39 | 38 | 22 | 39 | 100 | M8*0.75P |        |
| -165          | 266.8 | 165 | 128.5 | 10   | 39 | 38 | 22 | 39 | 100 | M8*0.75P | 5.1    |
| -225          | 326.8 | 225 | 188.5 | 10   | 39 | 38 | 22 | 39 | 100 | M8*0.75P |        |
| -255          | 356.8 | 255 | 218.5 | 10   | 39 | 38 | 22 | 39 | 100 | M8*0.75P | 5.6    |
| -300          | 401.8 | 300 | 263.5 | 10   | 39 | 38 | 22 | 39 | 100 | M8*0.75P |        |
| -CK5- 90      | 191.8 | 90  | 53.5  | 13   | 45 | 38 | 28 | 50 | 100 | M10*1.0P |        |
| -120          | 221.8 | 120 | 83.5  | 13   | 45 | 38 | 28 | 50 | 100 | M10*1.0P |        |
| -165          | 266.8 | 165 | 128.5 | 13   | 45 | 38 | 28 | 50 | 100 | M10*1.0P | 5.5    |
| -205          | 306.8 | 205 | 168.5 | 13   | 45 | 38 | 28 | 50 | 100 | M10*1.0P | 5.8    |
| -240          | 341.8 | 240 | 203.5 | 13   | 45 | 38 | 28 | 50 | 100 | M10*1.0P |        |
| -285          | 386.8 | 285 | 248.5 | 13   | 45 | 38 | 28 | 50 | 100 | M10*1.0P |        |
| -320          | 421.8 | 320 | 283.5 | 13   | 45 | 38 | 28 | 50 | 100 | M10*1.0P |        |
| -CK6- 95      | 196.8 | 95  | 58.5  | 16   | 55 | 38 | 36 | 63 | 100 | M12*1.0P | 4.9    |
| -165          | 266.8 | 165 | 128.5 | 16   | 55 | 38 | 36 | 63 | 100 | M12*1.0P |        |
| -240          | 341.8 | 240 | 203.5 | 16   | 55 | 38 | 36 | 63 | 100 | M12*1.0P |        |
| -300          | 401.8 | 300 | 263.5 | 16   | 55 | 38 | 36 | 63 | 100 | M12*1.0P | 9.5    |
| -360          | 461.8 | 360 | 323.5 | 16   | 55 | 38 | 36 | 63 | 100 | M12*1.0P | 10.5   |
| -CK7-150      | 251.8 | 150 | 113.5 | 19.1 | 55 | 38 | 46 | 90 | 100 | M20*1.5P |        |
| -210          | 311.8 | 210 | 173.5 | 19.1 | 55 | 38 | 46 | 90 | 100 | M20*1.5P |        |
| -300          | 401.8 | 300 | 263.5 | 19.1 | 55 | 38 | 46 | 90 | 100 | M20*1.5P |        |
| -360          | 461.8 | 360 | 323.5 | 19.1 | 55 | 38 | 46 | 90 | 100 | M20*1.5P |        |

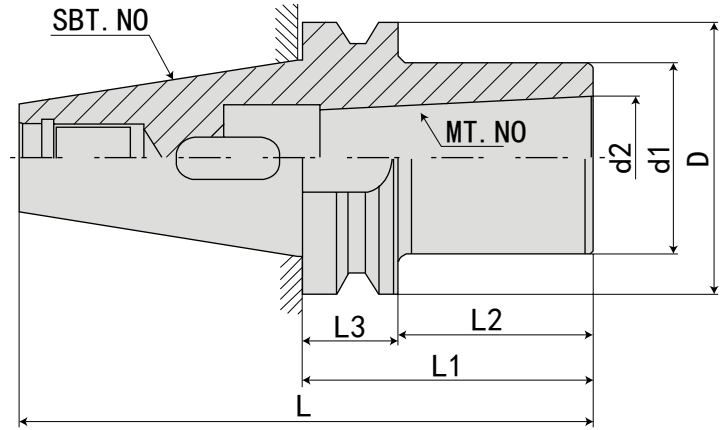
规格说明:

SBT50 - CK - 1 - 135

- L1 长度 Length (L)
- 接口锥度 Taper No. of cutter
- 功能代号 Face mill holder type
- 锥柄形式 Shank size

· SBT30-MTA 带扁尾莫氏刀柄

SBT30-MTA TAPER ADAPTER(MORSE)

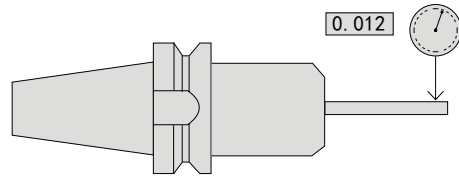


| 规格 Model      | L     | L1 | L2 | L3 | D  | d1 | d2     | 夹持范围 Range | 重量 KGS |
|---------------|-------|----|----|----|----|----|--------|------------|--------|
| SBT30-MTA1-60 | 108.4 | 60 | 39 | 22 | 46 | 25 | 12.065 | 2 - 14     |        |
| -MTA2-60      | 108.4 | 60 | 39 | 22 | 46 | 32 | 17.18  | 14 - 23    |        |
| -MTA3-80      | 128.4 | 80 | 59 | 22 | 46 | 40 | 23.825 | 23 - 32    |        |

规格说明:

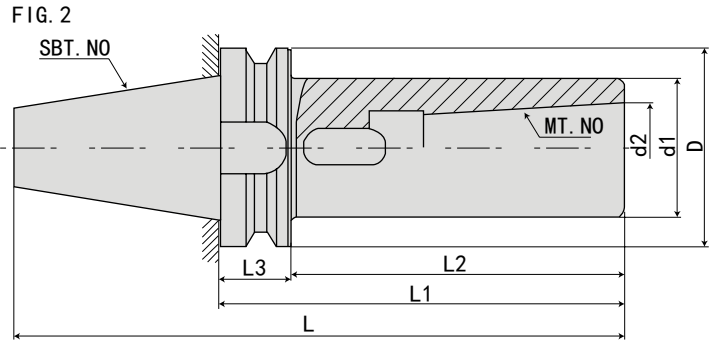
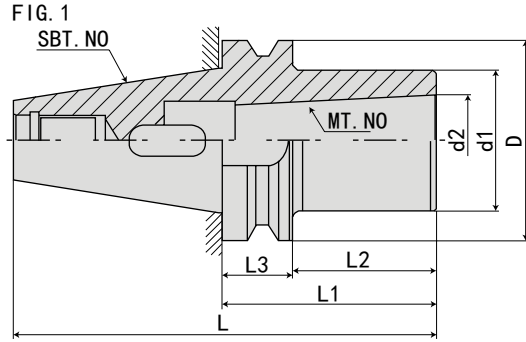
SBT30 - MTA - 1 - 60

- L1 长度 Length (L)
- 莫氏锥度号 Morse taper No.
- 有扁尾莫氏锥孔 Morse taper holder type A
- 锥柄形式 Shank size



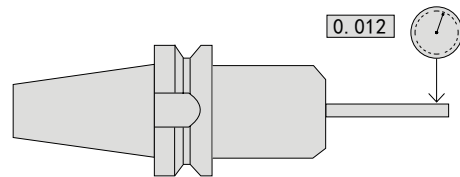
· SBT40-MTA 带扁尾莫氏刀柄

SBT40-MTA TAPER ADAPTER(MORSE)



| 规格 Model       | L     | L1  | L2  | L3 | D  | d1 | d2     | FIG | 夹持范围 Range | 重量 KGS |
|----------------|-------|-----|-----|----|----|----|--------|-----|------------|--------|
| SBT40-MTA1- 45 | 110.4 | 45  | 19  | 27 | 63 | 25 | 12.065 | 1   | 2- 14      |        |
| -120           | 185.4 | 120 | 94  | 27 | 63 | 25 | 12.065 | 2   | 2- 14      |        |
| -MTA2- 45      | 110.4 | 45  | 19  | 27 | 63 | 32 | 17.18  | 1   | 14- 23     |        |
| -120           | 185.4 | 120 | 94  | 27 | 63 | 32 | 17.18  | 2   | 14- 23     |        |
| -MTA3- 75      | 140.4 | 75  | 49  | 27 | 63 | 40 | 23.825 | 1   | 23- 32     |        |
| -135           | 200.4 | 135 | 109 | 27 | 63 | 40 | 23.825 | 2   | 23- 32     |        |
| -MTA4- 90      | 155.4 | 90  | 64  | 27 | 63 | 48 | 31.267 | 1   | 32- 50     |        |
| -180           | 245.4 | 180 | 154 | 27 | 63 | 48 | 31.267 | 2   | 32- 50     |        |

规格说明:



· SBT50-MTA 带扁尾莫氏刀柄

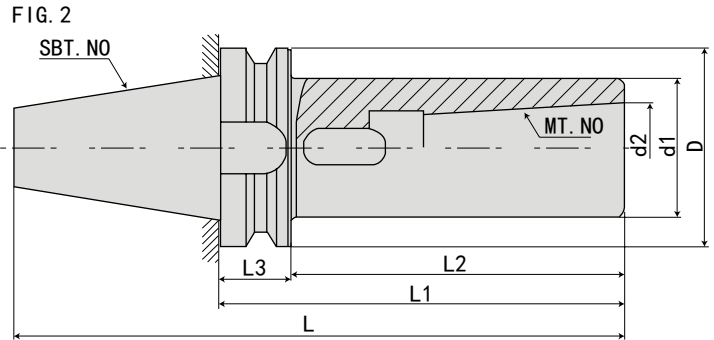
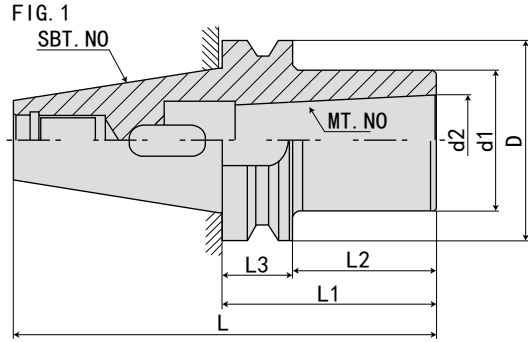
SBT50-MTA TAPER ADAPTER(MORSE)



配件 Accessories



» P. J19

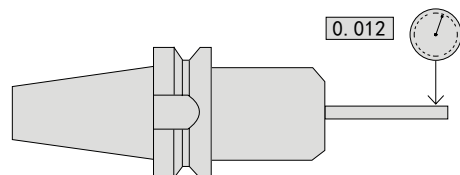


| 规格 Mode        | L     | L1  | L2    | L3 | D   | d1 | d2     | FIG | 夹持范围 Range | 重量 KGS |
|----------------|-------|-----|-------|----|-----|----|--------|-----|------------|--------|
| SBT50-MTA1- 45 | 146.8 | 45  | 8.5   | 38 | 100 | 25 | 12.065 | 1   | 2- 14      |        |
| -120           | 221.8 | 120 | 83.5  | 38 | 100 | 25 | 12.065 | 2   | 2- 14      | 4.3    |
| -180           | 281.8 | 180 | 143.5 | 38 | 100 | 25 | 12.065 | 2   | 2- 14      |        |
| -210           | 311.8 | 210 | 173.5 | 38 | 100 | 25 | 12.065 | 2   | 2- 14      |        |
| -MTA2- 60      | 161.8 | 60  | 23.5  | 38 | 100 | 32 | 17.18  | 1   | 14- 23     |        |
| -135           | 236.8 | 135 | 98.5  | 38 | 100 | 32 | 17.18  | 2   | 14- 23     | 4.5    |
| -180           | 281.8 | 180 | 143.5 | 38 | 100 | 32 | 17.18  | 2   | 14- 23     |        |
| -210           | 311.8 | 210 | 173.5 | 38 | 100 | 32 | 17.18  | 2   | 14- 23     |        |
| -250           | 351.8 | 250 | 213.5 | 38 | 100 | 32 | 17.18  | 2   | 14- 23     |        |
| -MTA3- 75      | 176.8 | 75  | 38.5  | 38 | 100 | 40 | 23.825 | 1   | 23- 32     | 4.1    |
| -150           | 251.8 | 150 | 113.5 | 38 | 100 | 40 | 23.825 | 2   | 23- 32     |        |
| -180           | 281.8 | 180 | 143.5 | 38 | 100 | 40 | 23.825 | 2   | 23- 32     |        |
| -210           | 311.8 | 210 | 173.5 | 38 | 100 | 40 | 23.825 | 2   | 23- 32     |        |
| -250           | 351.8 | 250 | 213.5 | 38 | 100 | 40 | 23.825 | 2   | 23- 32     |        |
| -300           | 401.8 | 300 | 263.5 | 38 | 100 | 40 | 23.825 | 2   | 23- 32     |        |
| -MTA4- 75      | 176.8 | 75  | 38.5  | 38 | 100 | 48 | 31.267 | 1   | 32- 50     | 4      |
| -180           | 281.8 | 180 | 143.5 | 38 | 100 | 48 | 31.267 | 2   | 32- 50     |        |
| -210           | 311.8 | 210 | 173.5 | 38 | 100 | 48 | 31.267 | 2   | 32- 50     |        |
| -250           | 351.8 | 250 | 213.5 | 38 | 100 | 48 | 31.267 | 2   | 32- 50     |        |
| -300           | 401.8 | 300 | 263.5 | 38 | 100 | 48 | 31.267 | 2   | 32- 50     |        |
| -MTA5-115      | 216.8 | 115 | 78.5  | 38 | 100 | 65 | 44.399 | 1   | 50- 75     |        |
| -210           | 311.8 | 210 | 173.5 | 38 | 100 | 66 | 45.399 | 2   | 50- 76     |        |
| -250           | 351.8 | 250 | 213.5 | 38 | 100 | 67 | 46.399 | 2   | 50- 77     |        |
| -MTA6-200      | 301.8 | 200 | 163.5 | 38 | 100 | 85 | 63.348 | 1   | 75- 100    |        |
| -280           | 381.8 | 280 | 243.5 | 38 | 100 | 85 | 63.348 | 2   | 75- 100    |        |

规格说明:

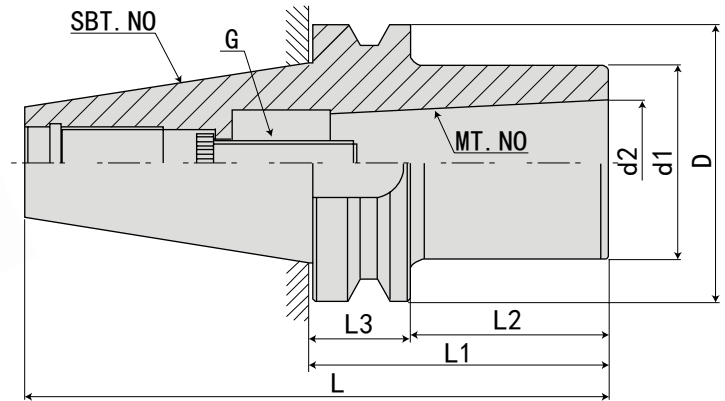
SBT50 - MTA - 1 - 45

- L1 长度 Length (L)
- 莫氏锥度号 Morse taper No.
- 有扁尾莫氏锥孔 Morse taper holder type A
- 锥柄形式 Shank size



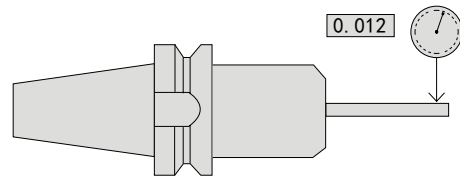
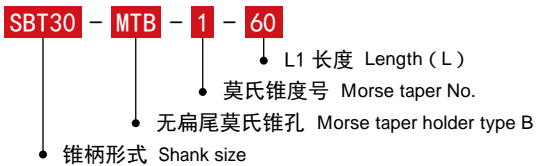
· SBT30-MTB 无扁尾莫氏刀柄

SBT30-MTB MORSE TAP HOLDER



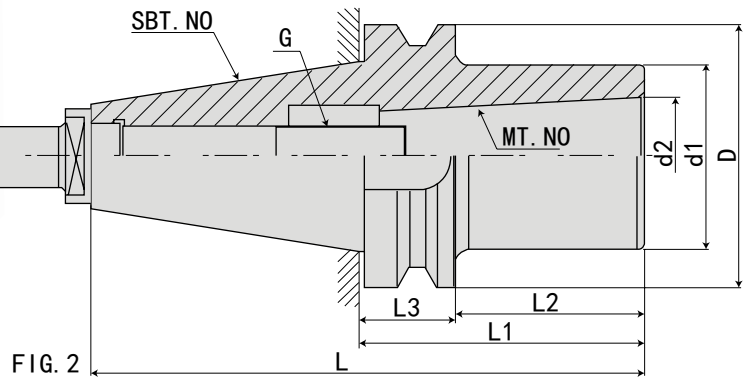
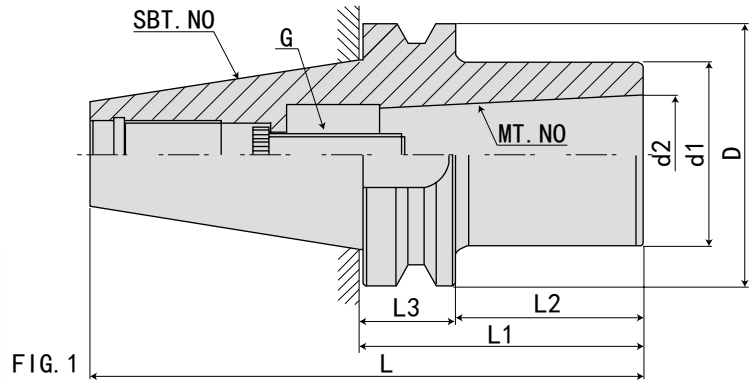
| 规格 Model      | L     | L1 | L2 | L3 | D  | d1 | d2     | 夹持范围 Range | 重量 KGS |
|---------------|-------|----|----|----|----|----|--------|------------|--------|
| SBT30-MTB1-60 | 108.4 | 60 | 39 | 22 | 46 | 25 | 12.065 | 10 - 14    |        |
| -MTB2-60      | 108.4 | 60 | 39 | 22 | 46 | 32 | 17.18  | 16 - 22    |        |
| -MTB3-80      | 128.4 | 80 | 59 | 22 | 46 | 40 | 23.825 | 24 - 32    |        |

规格说明:



· SBT40-MTB 无扁尾莫氏刀柄

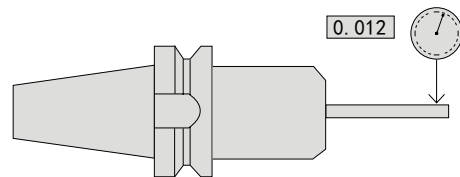
SBT40-MTB MORSE TAP HOLDER



| 规格 Model       | L     | L1  | L2  | L3 | D  | d1 | d2     | FIG | 夹持范围 Range | 重量 KGS |
|----------------|-------|-----|-----|----|----|----|--------|-----|------------|--------|
| SBT40-MTB1- 45 | 110.4 | 45  | 19  | 27 | 63 | 25 | 12.065 | 1   | 10 - 14    |        |
| -120           | 185.4 | 120 | 94  | 27 | 63 | 25 | 12.065 | 2   | 10 - 14    |        |
| -MTB2- 45      | 110.4 | 45  | 19  | 27 | 63 | 32 | 17.18  | 1   | 16 - 22    |        |
| -120           | 185.4 | 120 | 94  | 27 | 63 | 32 | 17.18  | 2   | 16 - 22    |        |
| -MTB3- 75      | 140.4 | 75  | 49  | 27 | 63 | 40 | 23.825 | 1   | 24 - 32    |        |
| -135           | 200.4 | 135 | 109 | 27 | 63 | 40 | 23.825 | 2   | 24 - 32    |        |
| -MTB4- 90      | 155.4 | 90  | 64  | 27 | 63 | 48 | 31.267 | 1   | 32 - 50    |        |
| -180           | 245.4 | 180 | 154 | 27 | 63 | 48 | 31.267 | 2   | 32 - 50    |        |

规格说明:

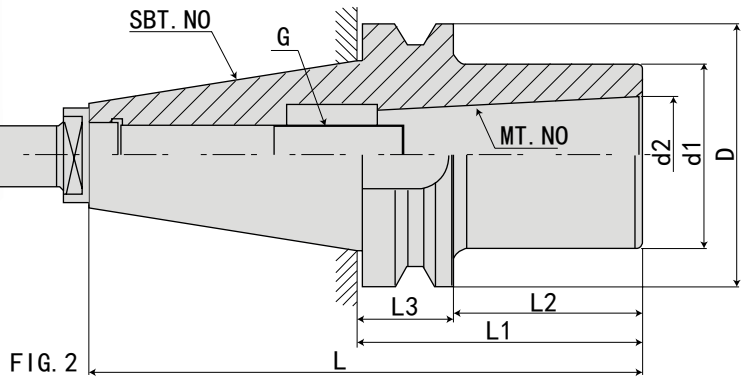
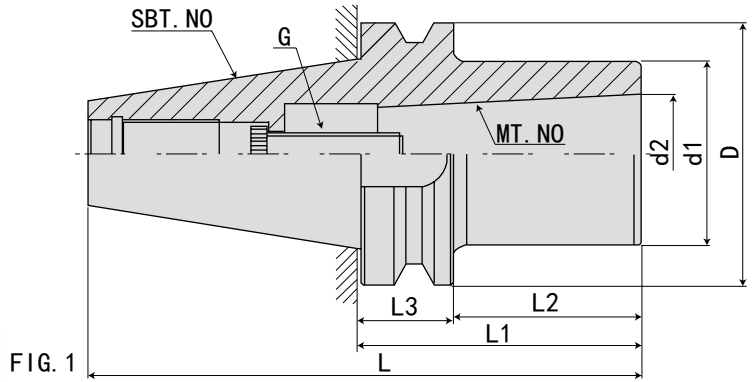
- SBT40 - MTB - 1 - 45
- SBT40 锥柄形式 Shank size
  - MTB 无扁尾莫氏锥孔 Morse taper holder type B
  - 1 莫氏锥度号 Morse taper No.
  - 45 L1 长度 Length (L)



D  
SBT SHANK SYSTEMS  
SBT 刀柄系统

· SBT50-MTB 无扁尾莫氏刀柄

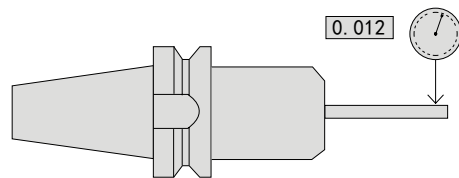
SBT50-MTB MORSE TAP HOLDER



| 规格 Model       | L     | L1  | L2    | L3 | D   | d1 | d2     | FIG | 夹持范围 Range | 重量 KGS |
|----------------|-------|-----|-------|----|-----|----|--------|-----|------------|--------|
| SBT50-MTB1- 45 | 146.8 | 45  | 8.5   | 38 | 100 | 25 | 12.065 | 1   | 10- 14     |        |
| -120           | 221.8 | 120 | 83.5  | 38 | 100 | 25 | 12.065 | 2   | 10- 14     |        |
| -MTB2- 60      | 161.8 | 60  | 23.5  | 38 | 100 | 32 | 17.18  | 1   | 16- 22     |        |
| -135           | 236.8 | 135 | 98.5  | 38 | 100 | 32 | 17.18  | 2   | 16- 22     |        |
| -MTB3- 75      | 176.8 | 75  | 38.5  | 38 | 100 | 40 | 23.825 | 1   | 24- 32     |        |
| -150           | 251.8 | 150 | 113.5 | 38 | 100 | 40 | 23.825 | 2   | 24- 32     |        |
| -MTB4- 75      | 176.8 | 75  | 38.5  | 38 | 100 | 48 | 31.267 | 1   | 32- 50     |        |
| -180           | 281.8 | 180 | 143.5 | 38 | 100 | 48 | 31.267 | 2   | 32- 50     |        |
| -MTB5-115      | 216.8 | 115 | 78.5  | 38 | 100 | 65 | 44.399 | 1   | 40- 75     |        |
| -210           | 311.8 | 210 | 173.5 | 38 | 100 | 66 | 45.399 | 2   | 40- 75     |        |

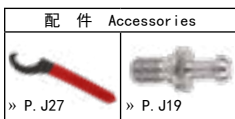
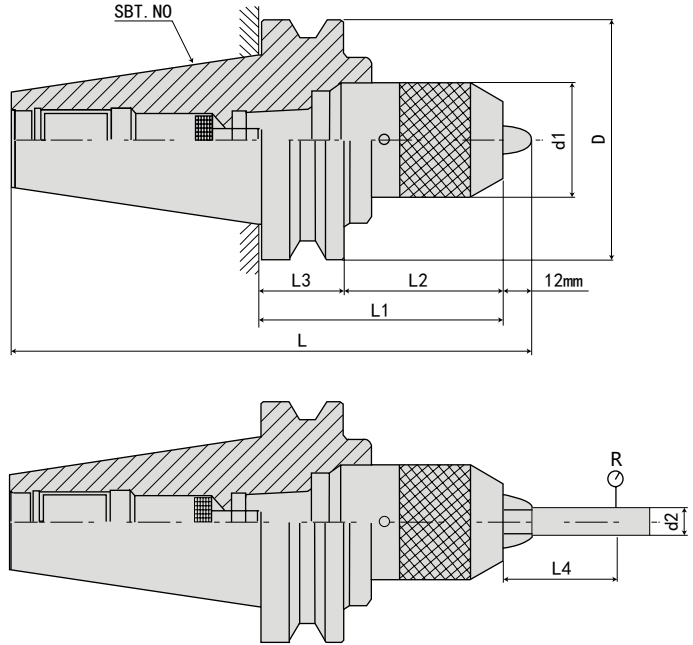
规格说明:

- SBT50 - MTB - 1 - 45
- SBT50: 锥柄形式 Shank size
  - MTB: 无扁尾莫氏锥孔 Morse taper holder type B
  - 1: 莫氏锥度号 Morse taper No.
  - 45: L1 长度 Length (L)

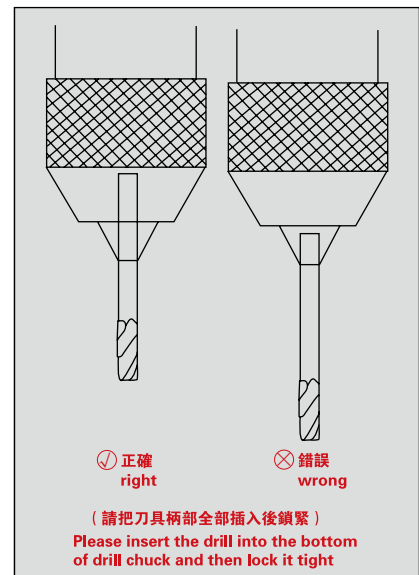




· SBT-APU 一体式钻夹头刀柄 SBT-APU DRILL CHUCK HOLDER



| 规格 Model        | L     | L1  | L2    | L3 | d1 | d2 | D   | R    | 夹持范围 Range | 重量 KGS |
|-----------------|-------|-----|-------|----|----|----|-----|------|------------|--------|
| SBT30-APU13-110 | 158.4 | 110 | 89    | 22 | 50 | 13 | 46  | 0.08 | 1-13mm     | 1.85   |
| -APU16-115      | 163.4 | 115 | 94    | 22 | 57 | 16 | 46  | 0.08 | 1-16mm     | 2.18   |
| SBT40-APU13-110 | 175.4 | 110 | 84    | 27 | 50 | 13 | 63  | 0.08 | 1-13mm     | 2      |
| -APU16-110      | 175.4 | 110 | 84    | 27 | 57 | 16 | 63  | 0.08 | 1-16mm     | 2.3    |
| SBT50-APU13-130 | 231.8 | 130 | 93.5  | 38 | 50 | 13 | 100 | 0.08 | 1-13mm     | 4.7    |
| -180            | 281.8 | 180 | 143.5 | 38 | 50 | 13 | 100 | 0.08 | 1-13mm     | 5.85   |
| -APU16-130      | 231.8 | 130 | 93.5  | 38 | 57 | 16 | 100 | 0.08 | 1-16mm     | 5.03   |
| -180            | 281.8 | 180 | 143.5 | 38 | 57 | 16 | 100 | 0.08 | 1-16mm     | 5.85   |



特点:

注:

一体式结构, 减少了连接误差精度, 内部用螺纹结构, 就不会出现夹头脱落现象

用于钻头、铰刀等夹持, 不可用于丝锥和铣刀夹持

一体刀柄缩短刀具长度, 提高加工精度, 增加使用寿命

有自锁功能, 附带专用扳手, 请勿用其它工具

APU 偏摆精度为 0.06, 如需更高精度要求请使用 ER 或 SK 系列

扳手、拉钉须另行购买

规格说明:



Features:

The shank and keyless drill chuck are combined together so as to avoid the drill chuck slipping out for heavy-duty and high speed cutting and improve the precision.

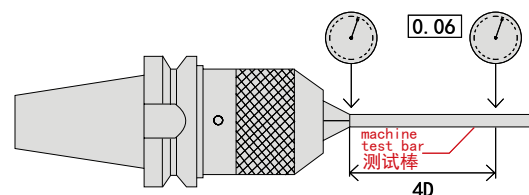
Not be used for gripping draw bolt and milling tools, instead of drill bit and reamer.

APU drill chuck shorten the length while length the working life of tool.

Each APU drill chuck attached 1pc APU wrench.

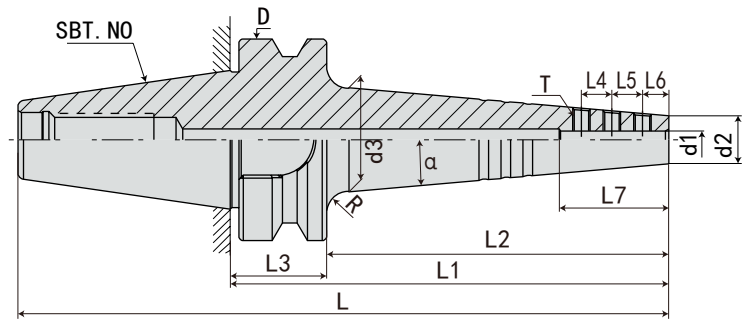
The APU leaning precision is 0.06mm, like the need high accuracy request, please use ER or the SK serie.

The spanner、pull stud must purchase alone.



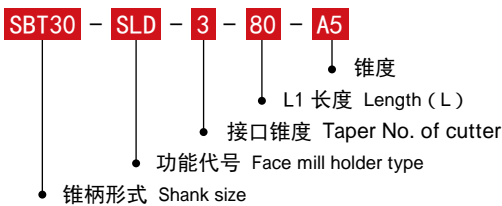
· SBT30-SLD 小径侧固刀柄

SBT30-SLD SMALL DIAMETER SIDE LOCK TOOL HOLDER



| 规格 Model          | L     | L1  | L2 | L3 | L4 | L5 | L6 | L7 | D  | d1 | d2 | d3   | T               | R  | 重量 KGS |
|-------------------|-------|-----|----|----|----|----|----|----|----|----|----|------|-----------------|----|--------|
| SBT30-SLD3- 80-A5 | 128.4 | 80  | 58 | 22 | 6  | 6  | 6  | 18 | 46 | 3  | 9  | 18.5 | M3.5*3*0.35P*T6 | 5° | 5      |
| -100-A5           | 148.4 | 100 | 78 | 22 | 6  | 6  | 6  | 18 | 46 | 3  | 9  | 22   | M3.5*3*0.35P*T6 | 5° | 5      |
| -SLD4- 80-A5      | 128.4 | 80  | 58 | 22 | 7  | 7  | 6  | 20 | 46 | 4  | 11 | 20.5 | M4*2.8*0.5P*H2  | 5° | 5      |
| -100-A5           | 148.4 | 100 | 78 | 22 | 7  | 7  | 6  | 20 | 46 | 4  | 11 | 24   | M4*2.8*0.5P*H2  | 5° | 5      |
| -SLD6- 80-A5      | 128.4 | 80  | 58 | 22 | 8  | 8  | 6  | 22 | 46 | 6  | 13 | 22.5 | M5*4*0.5P*H2.5  | 5° | 5      |
| -100-A5           | 148.4 | 100 | 78 | 22 | 8  | 8  | 6  | 22 | 46 | 6  | 13 | 25.5 | M5*4*0.5P*H2.5  | 5° | 5      |
| -SLD8- 80-A5      | 128.4 | 80  | 58 | 22 | 10 | 10 | 7  | 27 | 46 | 8  | 15 | 24.5 | M5*4*0.5P*H2.5  | 5° | 5      |
| -100-A5           | 148.4 | 100 | 78 | 22 | 10 | 10 | 7  | 27 | 46 | 8  | 15 | 28   | M5*4*0.5P*H2.5  | 5° | 5      |

规格说明:



SLD 侧固式刀柄延长杆专用螺丝:

SLD side fixed extension rod special screw

| 规格 Model              | 使用孔径 D Using aperture |
|-----------------------|-----------------------|
| M3.5 × 3 × P0.35 × T6 | D3                    |
| M4 × 2.8 × P0.5 × T8  | D4                    |
| M4 × 4 × P0.5 × T8    | D4                    |
| M5 × 3.5 × P0.5 × T10 | D6                    |
| M5 × 5 × P0.5 × T10   | D6 D8 D10             |
| M6 × 4 × P0.75 × T15  | D12                   |
| M6 × 6 × P0.75 × T15  | D12                   |
| M8 × 5 × P0.75 × L4   | D16 D20               |
| M4 × 2.8 × P0.5 × H2  | D4                    |
| M5 × 4 × P0.5 × H2.5  | D6 D8 D10             |
| M6 × 4 × P0.75 × H3   | D12                   |
| M6 × 5 × P0.75 × H3   | D12                   |

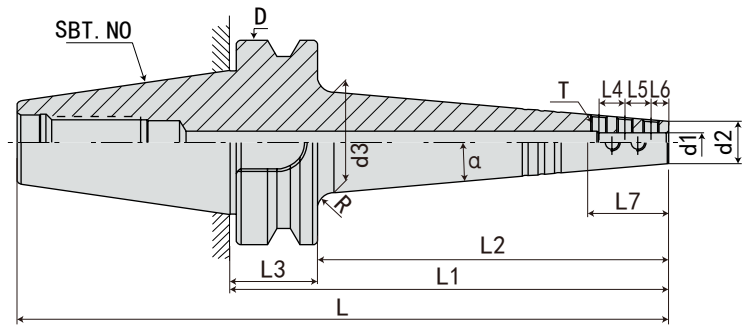
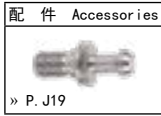
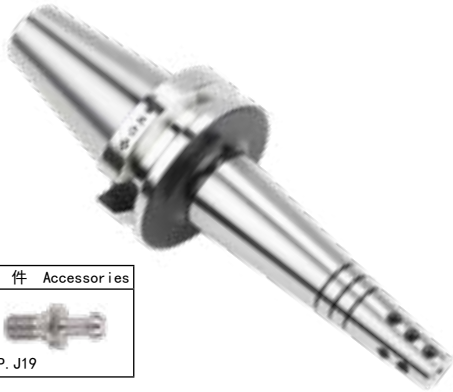
备注: 梅花扳手“T”, 六角扳手“H”

六角扳手: 更大的锁紧力 (需注意控制尺寸)

梅花扳手: 使用更方便

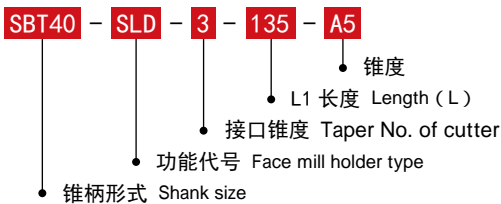
· SBT40-SLD 小径侧固刀柄

SBT40-SLD SMALL DIAMETER SIDE LOCK TOOL HOLDER



| 规格 Model          | L     | L1  | L2  | L3 | L4 | L5 | L6 | L7 | D  | d1 | d2 | d3   | T               | R  | 重量 KGS |
|-------------------|-------|-----|-----|----|----|----|----|----|----|----|----|------|-----------------|----|--------|
| SBT40-SLD3-135-A5 | 200.4 | 135 | 108 | 27 | 6  | 6  | 6  | 18 | 63 | 3  | 9  | 27   | M3.5*3*0.35P*T6 | 5° | 5      |
| - SLD4-135-A5     | 200.4 | 135 | 108 | 27 | 7  | 7  | 6  | 20 | 63 | 4  | 11 | 29   | M4*2.8*0.5P*H2  | 5° | 5      |
| - SLD6-135-A5     | 200.4 | 135 | 108 | 27 | 8  | 8  | 6  | 22 | 63 | 6  | 13 | 31   | M5*4*0.5P*H2.5  | 5° | 5      |
| -150-A5           | 215.4 | 150 | 123 | 27 | 8  | 8  | 6  | 22 | 63 | 6  | 13 | 33.5 | M5*4*0.5P*H2.5  | 5° | 5      |
| -200-A5           | 265.4 | 200 | 173 | 27 | 8  | 8  | 6  | 22 | 63 | 6  | 13 | 41.5 | M5*4*0.5P*H2.5  | 5° | 5      |
| - SLD8-135-A5     | 200.4 | 135 | 108 | 27 | 10 | 10 | 7  | 27 | 63 | 8  | 15 | 33   | M5*4*0.5P*H2.5  | 5° | 5      |
| -150-A5           | 215.4 | 150 | 123 | 27 | 10 | 10 | 7  | 27 | 63 | 8  | 15 | 35.5 | M5*4*0.5P*H2.5  | 5° | 5      |
| -200-A5           | 265.4 | 200 | 173 | 27 | 10 | 10 | 7  | 27 | 63 | 8  | 15 | 43.5 | M5*4*0.5P*H2.5  | 5° | 5      |
| -SLD10-135-A5     | 200.4 | 135 | 108 | 27 | 10 | 10 | 10 | 35 | 63 | 10 | 17 | 35   | M5*4*0.5P*H2.5  | 5° | 5      |
| -150-A5           | 215.4 | 150 | 123 | 27 | 10 | 10 | 10 | 35 | 63 | 10 | 17 | 37.5 | M5*4*0.5P*H2.5  | 5° | 5      |
| -200-A5           | 265.4 | 200 | 173 | 27 | 10 | 10 | 10 | 35 | 63 | 10 | 17 | 45.5 | M5*4*0.5P*H2.5  | 5° | 5      |
| -SLD12-135-A5     | 200.4 | 135 | 108 | 27 | 10 | 10 | 10 | 45 | 63 | 12 | 22 | 40   | M6*5*0.75P*H3   | 5° | 5      |
| -150-A5           | 215.4 | 150 | 123 | 27 | 10 | 10 | 10 | 45 | 63 | 12 | 22 | 42.5 | M6*5*0.75P*H3   | 5° | 5      |
| -200-A5           | 265.4 | 200 | 173 | 27 | 10 | 10 | 10 | 45 | 63 | 12 | 22 | 50.5 | M6*5*0.75P*H3   | 5° | 5      |
| - SLD6-150-A3     | 215.4 | 150 | 123 | 27 | 8  | 8  | 6  | 22 | 63 | 6  | 13 | 25.5 | M5*4*0.5P*H2.5  | 3° | 5      |
| -200-A3           | 265.4 | 200 | 173 | 27 | 8  | 8  | 6  | 22 | 63 | 6  | 13 | 30.5 | M5*4*0.5P*H2.5  | 3° | 5      |
| - SLD8-150-A3     | 215.4 | 150 | 123 | 27 | 10 | 10 | 7  | 27 | 63 | 8  | 15 | 27.5 | M5*4*0.5P*H2.5  | 3° | 5      |
| -200-A3           | 265.4 | 200 | 173 | 27 | 10 | 10 | 7  | 27 | 63 | 8  | 15 | 32.5 | M5*4*0.5P*H2.5  | 3° | 5      |
| -SLD10-150-A3     | 215.4 | 150 | 123 | 27 | 10 | 10 | 10 | 35 | 63 | 10 | 17 | 29.5 | M5*4*0.5P*H2.5  | 3° | 5      |
| -200-A3           | 265.4 | 200 | 173 | 27 | 10 | 10 | 10 | 35 | 63 | 10 | 17 | 34.5 | M5*4*0.5P*H2.5  | 3° | 5      |

规格说明:



SLD 侧固式刀柄延长杆专用螺丝:

SLD side fixed extension rod special screw

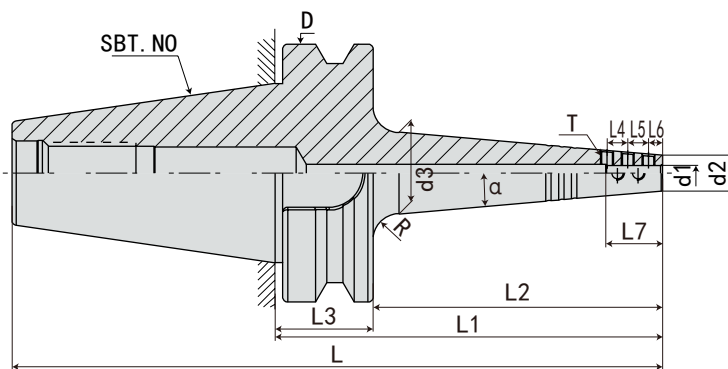
| 规格 Model              | 使用孔径 D Using aperture |
|-----------------------|-----------------------|
| M3.5 x 3 x P0.35 x T6 | D3                    |
| M4 x 2.8 x P0.5 x T8  | D4                    |
| M4 x 4 x P0.5 x T8    | D4                    |
| M5 x 3.5 x P0.5 x T10 | D6                    |
| M5 x 5 x P0.5 x T10   | D6 D8 D10             |
| M6 x 4 x P0.75 x T15  | D12                   |
| M6 x 6 x P0.75 x T15  | D12                   |
| M8 x 5 x P0.75 x L4   | D16 D20               |
| M4 x 2.8 x P0.5 x H2  | D4                    |
| M5 x 4 x P0.5 x H2.5  | D6 D8 D10             |
| M6 x 4 x P0.75 x H3   | D12                   |
| M6 x 5 x P0.75 x H3   | D12                   |

备注: 梅花扳手“T”, 六角扳手“H”  
六角扳手: 更大的锁紧力 (需注意控制尺寸)  
梅花扳手: 使用更方便

D  
SBT SHANK SYSTEMS  
SBT 刀柄系统

· SBT50-SLD 小径侧固刀柄

SBT40-SLD SMALL DIAMETER SIDE LOCK TOOL HOLDER



| 规格 Model          | L     | L1  | L2  | L3 | L4 | L5 | L6 | L7 | D   | d1 | d2 | d3   | T              | R  | 重量 KGS |
|-------------------|-------|-----|-----|----|----|----|----|----|-----|----|----|------|----------------|----|--------|
| SBT50-SLD4-150-A5 | 251.8 | 150 | 112 | 38 | 7  | 7  | 6  | 20 | 100 | 4  | 12 | 30   | M4*2.8*0.5P*H2 | 5° | 10     |
| -200-A5           | 301.8 | 200 | 162 | 38 | 7  | 7  | 6  | 20 | 100 | 4  | 12 | 38.5 | M4*2.8*0.5P*H2 | 5° | 10     |
| -250-A5           | 351.8 | 250 | 212 | 38 | 7  | 7  | 6  | 20 | 100 | 4  | 12 | 47.5 | M4*2.8*0.5P*H2 | 5° | 10     |
| -300-A5           | 401.8 | 300 | 262 | 38 | 7  | 7  | 6  | 20 | 100 | 4  | 12 | 56   | M4*2.8*0.5P*H2 | 5° | 10     |
| -SLD6-150-A5      | 251.8 | 150 | 112 | 38 | 8  | 8  | 6  | 22 | 100 | 6  | 14 | 32   | M5*4*0.5P*H2.5 | 5° | 10     |
| -200-A5           | 301.8 | 200 | 162 | 38 | 8  | 8  | 6  | 22 | 100 | 6  | 14 | 40.5 | M5*4*0.5P*H2.5 | 5° | 10     |
| -250-A5           | 351.8 | 250 | 212 | 38 | 8  | 8  | 6  | 22 | 100 | 6  | 14 | 49.5 | M5*4*0.5P*H2.5 | 5° | 10     |
| -300-A5           | 401.8 | 300 | 262 | 38 | 8  | 8  | 6  | 22 | 100 | 6  | 14 | 58   | M5*4*0.5P*H2.5 | 5° | 10     |
| -SLD8-150-A5      | 251.8 | 150 | 112 | 38 | 10 | 10 | 7  | 27 | 100 | 8  | 16 | 34   | M5*4*0.5P*H2.5 | 5° | 10     |
| -200-A5           | 301.8 | 200 | 162 | 38 | 10 | 10 | 7  | 27 | 100 | 8  | 16 | 42.5 | M5*4*0.5P*H2.5 | 5° | 10     |
| -250-A5           | 351.8 | 250 | 212 | 38 | 10 | 10 | 7  | 27 | 100 | 8  | 16 | 51.5 | M5*4*0.5P*H2.5 | 5° | 10     |
| -300-A5           | 401.8 | 300 | 262 | 38 | 10 | 10 | 7  | 27 | 100 | 8  | 16 | 60   | M5*4*0.5P*H2.5 | 5° | 10     |
| -SLD10-150-A5     | 251.8 | 150 | 112 | 38 | 10 | 10 | 10 | 35 | 100 | 10 | 18 | 36   | M5*4*0.5P*H2.5 | 5° | 10     |
| -200-A5           | 301.8 | 200 | 162 | 38 | 10 | 10 | 10 | 35 | 100 | 10 | 18 | 44.5 | M5*4*0.5P*H2.5 | 5° | 10     |
| -250-A5           | 351.8 | 250 | 212 | 38 | 10 | 10 | 10 | 35 | 100 | 10 | 18 | 53.5 | M5*4*0.5P*H2.5 | 5° | 10     |
| -300-A5           | 401.8 | 300 | 262 | 38 | 10 | 10 | 10 | 35 | 100 | 10 | 18 | 62   | M5*4*0.5P*H2.5 | 5° | 10     |
| -SLD12-150-A5     | 251.8 | 150 | 112 | 38 | 10 | 10 | 10 | 45 | 100 | 12 | 22 | 40   | M6*5*0.75P*H3  | 5° | 10     |
| -200-A5           | 301.8 | 200 | 162 | 38 | 10 | 10 | 10 | 45 | 100 | 12 | 22 | 48.5 | M6*5*0.75P*H3  | 5° | 10     |
| -250-A5           | 351.8 | 250 | 212 | 38 | 10 | 10 | 10 | 45 | 100 | 12 | 22 | 57.5 | M6*5*0.75P*H3  | 5° | 10     |
| -300-A5           | 401.8 | 300 | 262 | 38 | 10 | 10 | 10 | 45 | 100 | 12 | 22 | 66   | M6*5*0.75P*H3  | 5° | 10     |
| -SLD16-150-A5     | 251.8 | 150 | 112 | 38 | 12 | 12 | 10 | 50 | 100 | 16 | 26 | 44   | M8*5*0.75P*L4  | 5° | 10     |
| -200-A5           | 301.8 | 200 | 162 | 38 | 12 | 12 | 10 | 50 | 100 | 16 | 26 | 52.5 | M8*5*0.75P*L4  | 5° | 10     |
| -250-A5           | 351.8 | 250 | 212 | 38 | 12 | 12 | 10 | 50 | 100 | 16 | 26 | 61.5 | M8*5*0.75P*L4  | 5° | 10     |
| -300-A5           | 401.8 | 300 | 262 | 38 | 12 | 12 | 10 | 50 | 100 | 16 | 26 | 70   | M8*5*0.75P*L4  | 5° | 10     |
| -SLD20-150-A5     | 251.8 | 150 | 112 | 38 | 12 | 12 | 10 | 55 | 100 | 20 | 30 | 48   | M8*5*0.75P*L4  | 5° | 10     |
| -200-A5           | 301.8 | 200 | 162 | 38 | 12 | 12 | 10 | 55 | 100 | 20 | 30 | 56.5 | M8*5*0.75P*L4  | 5° | 10     |
| -250-A5           | 351.8 | 250 | 212 | 38 | 12 | 12 | 10 | 55 | 100 | 20 | 30 | 65.5 | M8*5*0.75P*L4  | 5° | 10     |
| -300-A5           | 401.8 | 300 | 262 | 38 | 12 | 12 | 10 | 55 | 100 | 20 | 30 | 74   | M8*5*0.75P*L4  | 5° | 10     |

规格说明:



备注: 梅花扳手“T”, 六角扳手“H”  
六角扳手: 更大的锁紧力(需注意控制尺寸)  
梅花扳手: 使用更方便

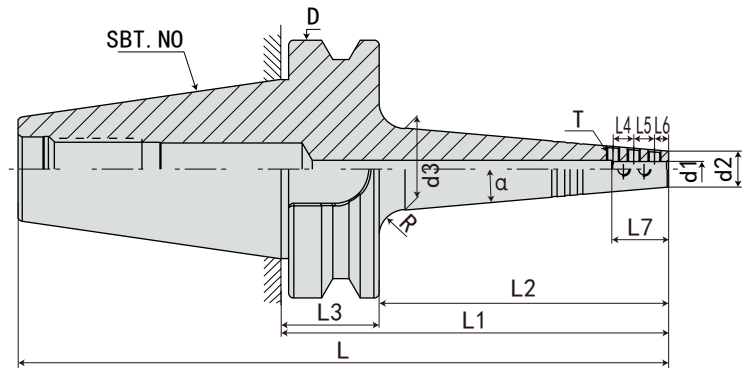
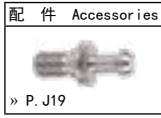
SLD 侧固式刀柄延长杆专用螺丝:

SLD side fixed extension rod special screw

| 规格 Model              | 使用孔径 D Using aperture |
|-----------------------|-----------------------|
| M3.5 x 3 x P0.35 x T6 | D3                    |
| M4 x 2.8 x P0.5 x T8  | D4                    |
| M4 x 4 x P0.5 x T8    | D4                    |
| M5 x 3.5 x P0.5 x T10 | D6                    |
| M5 x 5 x P0.5 x T10   | D6 D8 D10             |
| M6 x 4 x P0.75 x T15  | D12                   |
| M6 x 6 x P0.75 x T15  | D12                   |
| M8 x 5 x P0.75 x L4   | D16 D20               |
| M4 x 2.8 x P0.5 x H2  | D4                    |
| M5 x 4 x P0.5 x H2.5  | D6 D8 D10             |
| M6 x 4 x P0.75 x H3   | D12                   |
| M6 x 5 x P0.75 x H3   | D12                   |

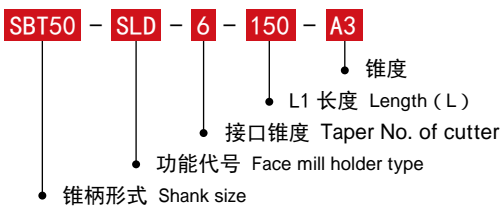
· SBT50-SLD 小径侧固刀柄

SBT40-SLD SMALL DIAMETER SIDE LOCK TOOL HOLDER



| 规格 Model           | L     | L1  | L2  | L3 | L4 | L5 | L6 | L7 | D   | d1  | d2 | d3 | T              | R              | 重量 KGS |    |
|--------------------|-------|-----|-----|----|----|----|----|----|-----|-----|----|----|----------------|----------------|--------|----|
| SBT50- SLD6-150-A3 | 251.8 | 150 | 112 | 38 | 8  | 8  | 8  | 6  | 22  | 100 | 6  | 14 | 25             | M5*4*0.5P*H2.5 | 3°     | 10 |
| -200-A3            | 301.8 | 200 | 162 | 38 | 8  | 8  | 8  | 6  | 22  | 100 | 6  | 14 | 30             | M5*4*0.5P*H2.5 | 3°     | 10 |
| -250-A3            | 351.8 | 250 | 212 | 38 | 8  | 8  | 8  | 6  | 22  | 100 | 6  | 14 | 35             | M5*4*0.5P*H2.5 | 3°     | 10 |
| -300-A3            | 401.8 | 300 | 262 | 38 | 8  | 8  | 8  | 6  | 22  | 100 | 6  | 14 | 40             | M5*4*0.5P*H2.5 | 3°     | 10 |
| - SLD8-150-A3      | 251.8 | 150 | 112 | 38 | 10 | 10 | 7  | 27 | 100 | 8   | 16 | 27 | M5*4*0.5P*H2.5 | 3°             | 10     |    |
| -200-A3            | 301.8 | 200 | 162 | 38 | 10 | 10 | 7  | 27 | 100 | 8   | 16 | 32 | M5*4*0.5P*H2.5 | 3°             | 10     |    |
| -250-A3            | 351.8 | 250 | 212 | 38 | 10 | 10 | 7  | 27 | 100 | 8   | 16 | 37 | M5*4*0.5P*H2.5 | 3°             | 10     |    |
| -300-A3            | 401.8 | 300 | 262 | 38 | 10 | 10 | 7  | 27 | 100 | 8   | 16 | 42 | M5*4*0.5P*H2.5 | 3°             | 10     |    |
| -SLD10-150-A3      | 251.8 | 150 | 112 | 38 | 10 | 10 | 10 | 35 | 100 | 10  | 18 | 29 | M5*4*0.5P*H2.5 | 3°             | 10     |    |
| -200-A3            | 301.8 | 200 | 162 | 38 | 10 | 10 | 10 | 35 | 100 | 10  | 18 | 34 | M5*4*0.5P*H2.5 | 3°             | 10     |    |
| -250-A3            | 351.8 | 250 | 212 | 38 | 10 | 10 | 10 | 35 | 100 | 10  | 18 | 39 | M5*4*0.5P*H2.5 | 3°             | 10     |    |
| -300-A3            | 401.8 | 300 | 262 | 38 | 10 | 10 | 10 | 35 | 100 | 10  | 18 | 44 | M5*4*0.5P*H2.5 | 3°             | 10     |    |
| -SLD12-150-A3      | 251.8 | 150 | 112 | 38 | 10 | 10 | 10 | 45 | 100 | 12  | 22 | 33 | M6*5*0.75P*H3  | 3°             | 10     |    |
| -200-A3            | 301.8 | 200 | 162 | 38 | 10 | 10 | 10 | 45 | 100 | 12  | 22 | 38 | M6*5*0.75P*H3  | 3°             | 10     |    |
| -250-A3            | 351.8 | 250 | 212 | 38 | 10 | 10 | 10 | 45 | 100 | 12  | 22 | 43 | M6*5*0.75P*H3  | 3°             | 10     |    |
| -300-A3            | 401.8 | 300 | 262 | 38 | 10 | 10 | 10 | 45 | 100 | 12  | 22 | 48 | M6*5*0.75P*H3  | 3°             | 10     |    |

规格说明:



SLD 侧固式刀柄延长杆专用螺丝:

SLD side fixed extension rod special screw

| 规格 Model              | 使用孔径 D Using aperture |
|-----------------------|-----------------------|
| M3.5 x 3 x P0.35 x T6 | D3                    |
| M4 x 2.8 x P0.5 x T8  | D4                    |
| M4 x 4 x P0.5 x T8    | D4                    |
| M5 x 3.5 x P0.5 x T10 | D6                    |
| M5 x 5 x P0.5 x T10   | D6 D8 D10             |
| M6 x 4 x P0.75 x T15  | D12                   |
| M6 x 6 x P0.75 x T15  | D12                   |
| M8 x 5 x P0.75 x L4   | D16 D20               |
| M4 x 2.8 x P0.5 x H2  | D4                    |
| M5 x 4 x P0.5 x H2.5  | D6 D8 D10             |
| M6 x 4 x P0.75 x H3   | D12                   |
| M6 x 5 x P0.75 x H3   | D12                   |

备注: 梅花扳手“T”, 六角扳手“H”

六角扳手: 更大的锁紧力 (需注意控制尺寸)

梅花扳手: 使用更方便

D  
SBT 刀柄系统  
SBT SHANK SYSTEMS

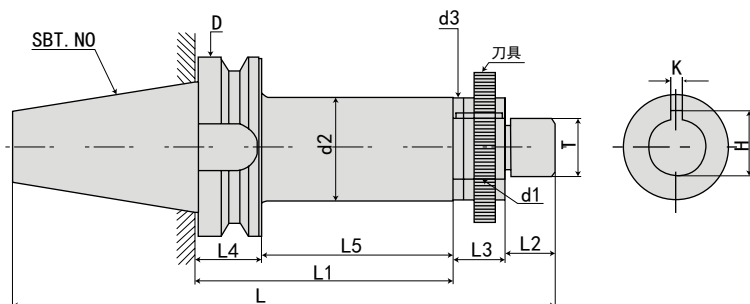
· SBT-SCA 侧铣刀柄 SBT-SCA SIDE CUTTER ADAPTET



配件 Accessories



» P. J19



| 规格 Model       | L     | L1  | L2 | L3 | L4 | L5   | D   | d1 | d2 | d3 | K  | H    | T        | 重量 KGS |
|----------------|-------|-----|----|----|----|------|-----|----|----|----|----|------|----------|--------|
| SBT30-SCA10-60 | 108.4 | 60  | 12 | 30 | 22 | 39   | 46  | 10 | 18 | 18 | -  | -    | M8*1.25P |        |
| -SCA16-60      | 108.4 | 60  | 16 | 30 | 22 | 39   | 46  | 16 | 26 | 26 | 4  | 17.7 | M14*1.5P |        |
| -SCA22-60      | 108.4 | 60  | 22 | 30 | 22 | 39   | 46  | 22 | 34 | 34 | 6  | 24.3 | M20*1.5P |        |
| -SCA27-75      | 123.4 | 75  | 28 | 30 | 22 | 54   | 46  | 27 | 41 | 41 | 7  | 30   | M24*1.5P |        |
| SBT40-SCA16-60 | 171.4 | 60  | 16 | 30 | 27 | 34   | 63  | 16 | 26 | 26 | 4  | 17.7 | M14*1.5P |        |
| -SCA22-75      | 192.4 | 75  | 22 | 30 | 27 | 49   | 63  | 22 | 34 | 34 | 6  | 24.3 | M20*1.5P |        |
| -120           | 237.4 | 120 | 22 | 30 | 27 | 94   | 63  | 22 | 34 | 34 | 6  | 24.3 | M20*1.5P |        |
| -SCA27-75      | 198.4 | 75  | 28 | 30 | 27 | 49   | 63  | 27 | 41 | 41 | 7  | 30   | M24*1.5P |        |
| -120           | 243.4 | 120 | 28 | 30 | 27 | 94   | 63  | 27 | 41 | 41 | 7  | 30   | M24*1.5P |        |
| -SCA32-90      | 217.4 | 90  | 32 | 30 | 27 | 64   | 63  | 32 | 47 | 47 | 8  | 35   | M30*1.5P |        |
| -180           | 307.4 | 180 | 32 | 30 | 27 | 154  | 63  | 32 | 47 | 47 | 8  | 35   | M30*1.5P |        |
| SBT50-SCA22-90 | 243.8 | 90  | 22 | 30 | 38 | 53.5 | 100 | 22 | 34 | 34 | 6  | 24.3 | M20*1.5P |        |
| -135           | 288.8 | 135 | 22 | 30 | 38 | 98.5 | 100 | 22 | 34 | 34 | 6  | 24.3 | M20*1.5P |        |
| -SCA27-90      | 249.8 | 90  | 28 | 30 | 38 | 53.5 | 100 | 27 | 41 | 41 | 7  | 30   | M24*1.5P |        |
| -135           | 294.8 | 135 | 28 | 30 | 38 | 98.5 | 100 | 27 | 41 | 41 | 7  | 30   | M24*1.5P |        |
| -SCA32-90      | 253.8 | 90  | 32 | 30 | 38 | 53.5 | 100 | 32 | 47 | 47 | 8  | 35   | M30*1.5P |        |
| -135           | 398.8 | 135 | 32 | 30 | 38 | 98.5 | 100 | 32 | 47 | 47 | 8  | 35   | M30*1.5P |        |
| -SCA40-90      | 261.8 | 90  | 40 | 30 | 38 | 53.5 | 100 | 40 | 55 | 55 | 10 | 43.7 | M36*2.0P |        |
| -135           | 306.8 | 135 | 40 | 30 | 38 | 98.5 | 100 | 40 | 55 | 55 | 10 | 43.7 | M36*2.0P |        |

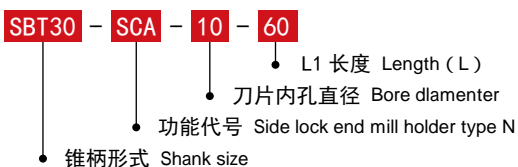
特点:

注:

割槽刀，三面刃铣刀等使用时，为使用刀具与刀杆紧密接触，请调整垫片

选购刀柄，根据加工需要请确认装锯片卡位大小。不附带拉钉  
拉钉须另行购买

规格说明:



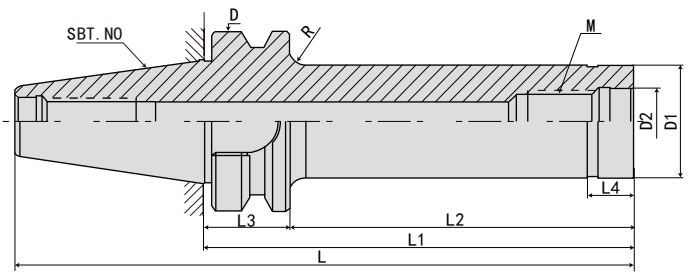
Features:

Shears the trough knife, when uses and so on three edge milling cutters, is uses the cutting tool and the cutter bar contacts closely, requests transfer the entire filling piece.

Selects and purchases the hilt, according to the processing needs please to confirm that installs the saw blade jamming size. Does not supplement the puller bolt to select.

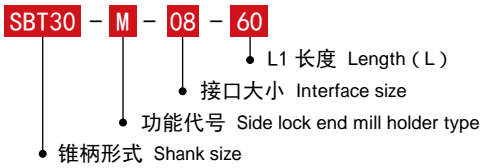
The pull stud must purchase alone.

· SBT30-M 螺纹连接刀柄 (直柄) SBT30-M THERADED CHUCK



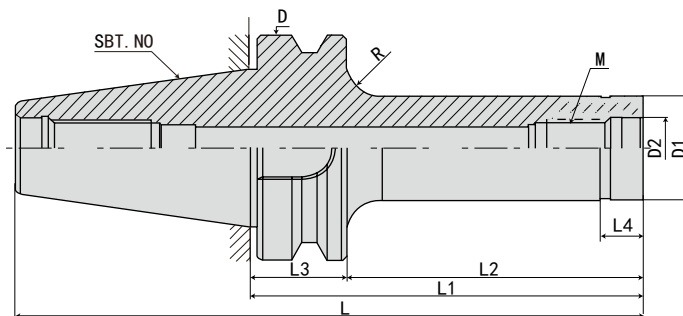
| 规格 Model     | L     | L1  | L2 | L3 | L4 | D  | D1   | D2   | M         | R | 重量 KGS |
|--------------|-------|-----|----|----|----|----|------|------|-----------|---|--------|
| SBT30-M08-60 | 108.4 | 60  | 38 | 22 | 12 | 46 | 15.4 | 8.5  | M8*1.25P  | 4 |        |
| -90          | 138.4 | 90  | 68 | 22 | 12 | 46 | 15.4 | 8.5  | M8*1.25P  | 4 | 0.5    |
| -110         | 158.4 | 110 | 88 | 22 | 12 | 46 | 15.4 | 8.5  | M8*1.25P  | 4 |        |
| -M10-60      | 108.4 | 60  | 38 | 22 | 12 | 46 | 19   | 10.5 | M10*1.5P  | 4 |        |
| -90          | 138.4 | 90  | 68 | 22 | 12 | 46 | 19   | 10.5 | M10*1.5P  | 4 | 0.5    |
| -110         | 158.4 | 110 | 88 | 22 | 12 | 46 | 19   | 10.5 | M10*1.5P  | 4 |        |
| -M12-60      | 108.4 | 60  | 38 | 22 | 12 | 46 | 24   | 12.5 | M12*1.75P | 4 |        |
| -90          | 138.4 | 90  | 68 | 22 | 12 | 46 | 24   | 12.5 | M12*1.75P | 4 | 0.6    |
| -110         | 158.4 | 110 | 88 | 22 | 12 | 46 | 24   | 12.5 | M12*1.75P | 4 |        |
| -M16-60      | 108.4 | 60  | 38 | 22 | 12 | 46 | 29   | 17   | M16*2.0P  | 4 |        |
| -90          | 138.4 | 90  | 68 | 22 | 12 | 46 | 29   | 17   | M16*2.0P  | 4 | 0.7    |
| -110         | 158.4 | 110 | 88 | 22 | 12 | 46 | 29   | 17   | M16*2.0P  | 4 |        |

规格说明:



D  
SBT 刀柄系列  
SBT SHANK SYSTEMS

· SBT40-M 螺纹连接刀柄 (直柄) SBT40-M THERADED CHUCK



| 规格 Model     | L     | L1  | L2 | L3 | L4 | D  | D1   | D2   | M         | R  | 重量 KGS |
|--------------|-------|-----|----|----|----|----|------|------|-----------|----|--------|
| SBT40-M08-60 | 125.4 | 60  | 33 | 27 | 12 | 63 | 15.4 | 8.5  | M8*1.25P  | 10 | 1.1    |
| - 90         | 155.4 | 90  | 63 | 27 | 12 | 63 | 15.4 | 8.5  | M8*1.25P  | 10 | 1.2    |
| -110         | 175.4 | 110 | 83 | 27 | 12 | 63 | 15.4 | 8.5  | M8*1.25P  | 10 | 1.2    |
| -M10-60      | 125.4 | 60  | 33 | 27 | 12 | 63 | 19   | 10.5 | M10*1.5P  | 10 | 1.1    |
| - 90         | 155.4 | 90  | 63 | 27 | 12 | 63 | 19   | 10.5 | M10*1.5P  | 10 | 1.1    |
| -110         | 175.4 | 110 | 83 | 27 | 12 | 63 | 19   | 10.5 | M10*1.5P  | 10 | 1.2    |
| -M12-60      | 125.4 | 60  | 33 | 27 | 12 | 63 | 24   | 12.5 | M12*1.75P | 10 | 1.2    |
| - 90         | 155.4 | 90  | 63 | 27 | 12 | 63 | 24   | 12.5 | M12*1.75P | 10 | 1.3    |
| -110         | 175.4 | 110 | 83 | 27 | 12 | 63 | 24   | 12.5 | M12*1.75P | 10 | 1.3    |
| -M16-60      | 125.4 | 60  | 33 | 27 | 12 | 63 | 29   | 17   | M16*2.0P  | 10 | 1.2    |
| - 90         | 155.4 | 90  | 63 | 27 | 12 | 63 | 29   | 17   | M16*2.0P  | 10 | 1.3    |
| -110         | 175.4 | 110 | 83 | 27 | 12 | 63 | 29   | 17   | M16*2.0P  | 10 | 1.4    |

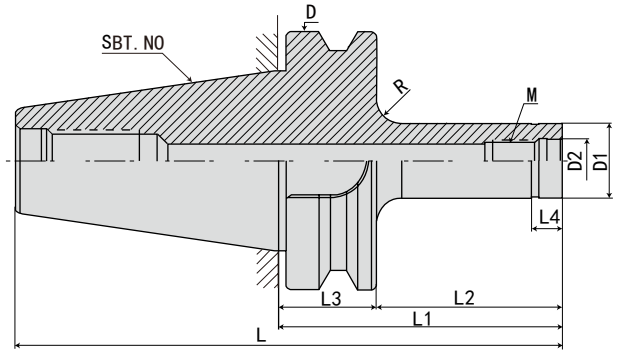
规格说明:

SBT40 - M - 08 - 60

- L1 长度 Length (L)
- 接口大小 Interface size
- 功能代号 Side lock end mill holder type
- 锥柄形式 Shank size



· SBT50-M 螺纹连接刀柄 (直柄) SBT50-M THERADED CHUCK



| 规格 Model      | L     | L1  | L2 | L3 | L4 | D   | D1   | D2   | M         | R  | 重量 KGS |
|---------------|-------|-----|----|----|----|-----|------|------|-----------|----|--------|
| SBT50-M08- 60 | 161.8 | 60  | 22 | 38 | 12 | 100 | 15.4 | 8.5  | M8*1.25P  | 10 |        |
| - 90          | 191.8 | 90  | 52 | 38 | 12 | 100 | 15.4 | 8.5  | M8*1.25P  | 10 | 3.8    |
| - 110         | 211.8 | 110 | 72 | 38 | 12 | 100 | 15.4 | 8.5  | M8*1.25P  | 10 | 3.8    |
| -M10- 60      | 161.8 | 60  | 22 | 38 | 12 | 100 | 19   | 10.5 | M10*1.5P  | 10 |        |
| - 90          | 191.8 | 90  | 52 | 38 | 12 | 100 | 19   | 10.5 | M10*1.5P  | 10 | 3.8    |
| - 110         | 211.8 | 110 | 72 | 38 | 12 | 100 | 19   | 10.5 | M10*1.5P  | 10 | 3.8    |
| -M12- 60      | 161.8 | 60  | 22 | 38 | 12 | 100 | 24   | 12.5 | M12*1.75P | 10 |        |
| - 90          | 191.8 | 90  | 52 | 38 | 12 | 100 | 24   | 12.5 | M12*1.75P | 10 | 3.9    |
| - 110         | 211.8 | 110 | 72 | 38 | 12 | 100 | 24   | 12.5 | M12*1.75P | 10 | 3.9    |
| -M16- 60      | 161.8 | 60  | 22 | 38 | 12 | 100 | 29   | 17   | M16*2.0P  | 10 | 3.9    |
| - 90          | 191.8 | 90  | 52 | 38 | 12 | 100 | 29   | 17   | M16*2.0P  | 10 | 3.9    |
| - 110         | 211.8 | 110 | 72 | 38 | 12 | 100 | 29   | 17   | M16*2.0P  | 10 | 3.9    |

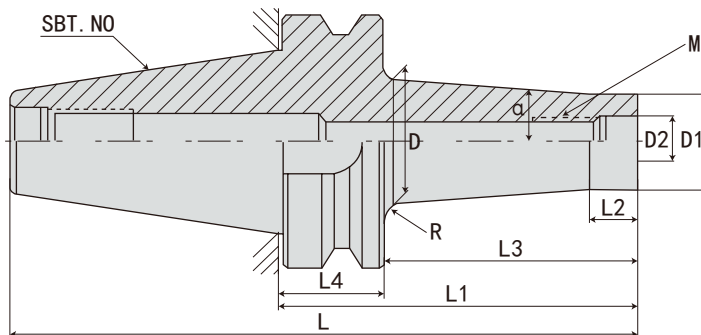
规格说明:

SBT50 - M - 08 - 60

- L1 长度 Length (L)
- 接口大小 Interface size
- 功能代号 Side lock end mill holder type
- 锥柄形式 Shank size

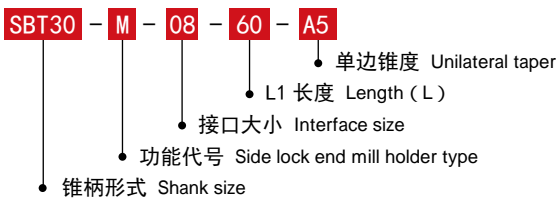
D  
SBT 刀柄系列  
SBT SHANK SYSTEMS

· SBT30-M 螺纹连接刀柄 (斜柄) SBT30-M THERADED CHUCK

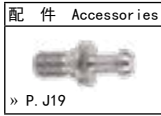
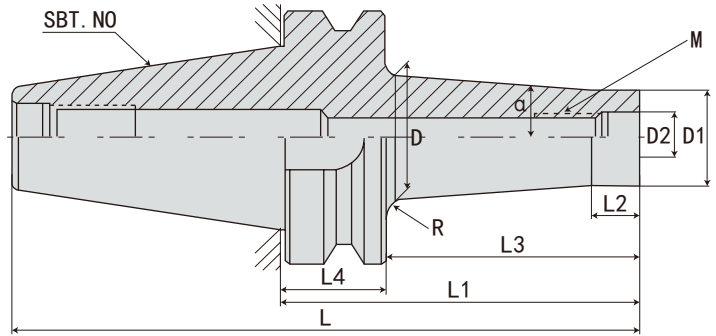


| 规格 Model        | L     | L1 | L2 | L3 | L4 | D    | D1   | D2   | M         | R  | 重量 KGS |
|-----------------|-------|----|----|----|----|------|------|------|-----------|----|--------|
| SBT30-M08-60-A5 | 108.4 | 60 | 12 | 39 | 22 | 19.5 | 15.4 | 8.5  | M8*1.25P  | 5° | 4      |
| -90-A5          | 138.4 | 90 | 12 | 69 | 22 | 24.5 | 15.4 | 8.5  | M8*1.25P  | 5° | 4      |
| -M10-60-A4      | 108.4 | 60 | 12 | 39 | 22 | 22   | 19   | 10.5 | M10*1.5P  | 4° | 4      |
| -90-A4          | 138.4 | 90 | 12 | 69 | 22 | 26   | 19   | 10.5 | M10*1.5P  | 4° | 4      |
| -M12-60-A4      | 108.4 | 60 | 12 | 39 | 22 | 27   | 24   | 12.5 | M12*1.75P | 4° | 4      |
| -90-A4          | 138.4 | 90 | 12 | 69 | 22 | 31.5 | 24   | 12.5 | M12*1.75P | 4° | 2      |
| -M16-60-A4      | 108.4 | 60 | 12 | 39 | 22 | 32.5 | 29   | 17   | M16*2.0P  | 4° | 2      |
| -90-A4          | 138.4 | 90 | 12 | 69 | 22 | 36.5 | 29   | 17   | M16*2.0P  | 4° | 2      |

规格说明:

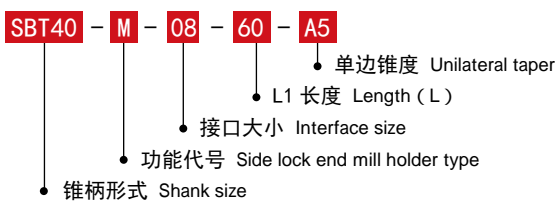


· SBT40-M 螺纹连接刀柄 (斜柄) SBT40-M THERADED CHUCK



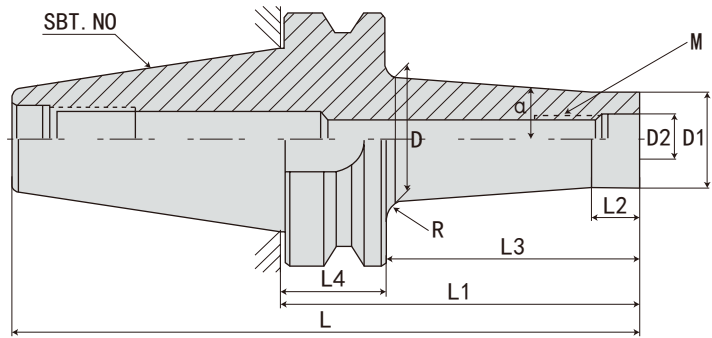
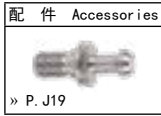
| 规格 Model         | L     | L1  | L2 | L3  | L4 | D    | D1   | D2   | M         | R  | 重量 KGS |
|------------------|-------|-----|----|-----|----|------|------|------|-----------|----|--------|
| SBT40-M08- 60-A5 | 125.4 | 60  | 12 | 34  | 27 | 18   | 15.4 | 8.5  | M8*1.25P  | 5° | 5      |
| - 90-A5          | 155.4 | 90  | 12 | 64  | 27 | 23.5 | 15.4 | 8.5  | M8*1.25P  | 5° | 5      |
| - 110-A5         | 175.4 | 110 | 12 | 84  | 27 | 27   | 15.4 | 8.5  | M8*1.25P  | 5° | 5      |
| - 150-A5         | 215.4 | 150 | 12 | 124 | 27 | 34   | 15.4 | 8.5  | M8*1.25P  | 5° | 5      |
| - 200-A5         | 265.4 | 200 | 12 | 174 | 27 | 42.5 | 15.4 | 8.5  | M8*1.25P  | 5° | 5      |
| -M10- 60-A4      | 125.4 | 60  | 12 | 34  | 27 | 21.5 | 19   | 10.5 | M10*1.5P  | 4° | 5      |
| - 90-A4          | 155.4 | 90  | 12 | 64  | 27 | 25.5 | 19   | 10.5 | M10*1.5P  | 4° | 5      |
| - 110-A4         | 175.4 | 110 | 12 | 84  | 27 | 28.5 | 19   | 10.5 | M10*1.5P  | 4° | 5      |
| - 150-A4         | 215.4 | 150 | 12 | 124 | 27 | 34   | 19   | 10.5 | M10*1.5P  | 4° | 5      |
| - 200-A4         | 265.4 | 200 | 12 | 174 | 27 | 41   | 19   | 10.5 | M10*1.5P  | 4° | 5      |
| -M12- 60-A4      | 125.4 | 60  | 12 | 34  | 27 | 25.5 | 23   | 12.5 | M12*1.75P | 4° | 5      |
| - 90-A4          | 155.4 | 90  | 12 | 64  | 27 | 29.5 | 23   | 12.5 | M12*1.75P | 4° | 5      |
| - 110-A4         | 175.4 | 110 | 12 | 84  | 27 | 32.5 | 23   | 12.5 | M12*1.75P | 4° | 5      |
| - 135-A4         | 200.4 | 135 | 12 | 109 | 27 | 36   | 23   | 12.5 | M12*1.75P | 4° | 5      |
| - 150-A4         | 215.4 | 150 | 12 | 124 | 27 | 38   | 23   | 12.5 | M12*1.75P | 4° | 5      |
| - 200-A4         | 265.4 | 200 | 12 | 174 | 27 | 45   | 23   | 12.5 | M12*1.75P | 4° | 5      |
| -M16- 60-A4      | 125.4 | 60  | 12 | 34  | 27 | 31   | 28.8 | 17   | M16*2.0P  | 4° | 5      |
| - 90-A4          | 155.4 | 90  | 12 | 64  | 27 | 35.5 | 28.8 | 17   | M16*2.0P  | 4° | 5      |
| - 110-A4         | 175.4 | 110 | 12 | 84  | 27 | 38   | 28.8 | 17   | M16*2.0P  | 4° | 5      |
| - 135-A4         | 200.4 | 135 | 12 | 109 | 27 | 41.5 | 28.8 | 17   | M16*2.0P  | 4° | 5      |
| - 150-A4         | 215.4 | 150 | 12 | 124 | 27 | 43.5 | 28.8 | 17   | M16*2.0P  | 4° | 5      |
| - 200-A4         | 265.4 | 200 | 12 | 174 | 27 | 50.5 | 28.8 | 17   | M16*2.0P  | 4° | 5      |

规格说明:



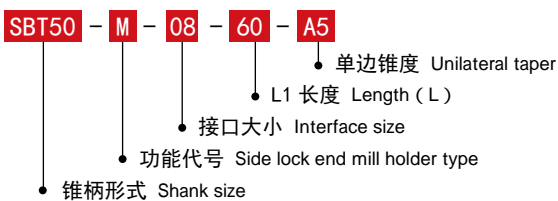
D  
SBT 刀柄系列  
SBT SHANK SYSTEMS

· SBT50-M 螺纹连接刀柄 (斜柄) SBT50-M THERADED CHUCK

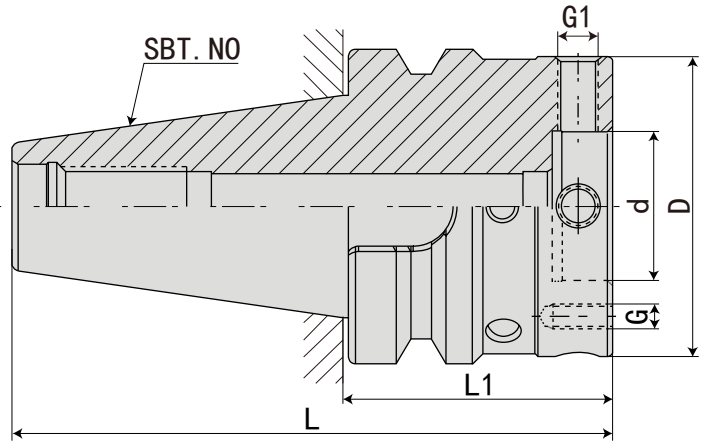


| 规格 Model         | L     | L1  | L2 | L3    | L4 | D    | D1   | D2   | M         | R  | 重量 KGS |
|------------------|-------|-----|----|-------|----|------|------|------|-----------|----|--------|
| SBT50-M08- 60-A5 | 161.8 | 60  | 12 | 23.5  | 38 | 17.5 | 15.4 | 8.5  | M8*1.25P  | 5° | 10     |
| - 90-A5          | 191.8 | 90  | 12 | 53.5  | 38 | 20.5 | 15.4 | 8.5  | M8*1.25P  | 5° | 10     |
| - 110-A5         | 211.8 | 110 | 12 | 73.5  | 38 | 24   | 15.4 | 8.5  | M8*1.25P  | 5° | 10     |
| - 150-A5         | 251.8 | 150 | 12 | 113.5 | 38 | 31   | 15.4 | 8.5  | M8*1.25P  | 5° | 10     |
| - 200-A5         | 301.8 | 200 | 12 | 163.5 | 38 | 40   | 15.4 | 8.5  | M8*1.25P  | 5° | 10     |
| - 250-A5         | 351.8 | 250 | 12 | 213.5 | 38 | 48.5 | 15.4 | 8.5  | M8*1.25P  | 5° | 10     |
| - 300-A5         | 401.8 | 300 | 12 | 263.5 | 38 | 57.5 | 15.4 | 8.5  | M8*1.25P  | 5° | 10     |
| -M10- 60-A4      | 161.8 | 60  | 12 | 23.5  | 38 | 20.5 | 19   | 10.5 | M10*1.5P  | 4° | 10     |
| - 90-A4          | 191.8 | 90  | 12 | 53.5  | 38 | 23   | 19   | 10.5 | M10*1.5P  | 4° | 10     |
| - 110-A4         | 211.8 | 110 | 12 | 73.5  | 38 | 26   | 19   | 10.5 | M10*1.5P  | 4° | 10     |
| - 150-A4         | 251.8 | 150 | 12 | 113.5 | 38 | 31.5 | 19   | 10.5 | M10*1.5P  | 4° | 10     |
| - 200-A4         | 301.8 | 200 | 12 | 163.5 | 38 | 38.5 | 19   | 10.5 | M10*1.5P  | 4° | 10     |
| - 250-A4         | 351.8 | 250 | 12 | 213.5 | 38 | 45.5 | 19   | 10.5 | M10*1.5P  | 4° | 10     |
| - 300-A4         | 401.8 | 300 | 12 | 263.5 | 38 | 52.5 | 19   | 10.5 | M10*1.5P  | 4° | 10     |
| -M12- 60-A4      | 161.8 | 60  | 12 | 23.5  | 38 | 25.5 | 24   | 12.5 | M12*1.75P | 4° | 10     |
| - 90-A4          | 191.8 | 90  | 12 | 53.5  | 38 | 28   | 24   | 12.5 | M12*1.75P | 4° | 10     |
| - 110-A4         | 211.8 | 110 | 12 | 73.5  | 38 | 31   | 24   | 12.5 | M12*1.75P | 4° | 10     |
| - 135-A4         | 236.8 | 135 | 12 | 98.5  | 38 | 34.5 | 24   | 12.5 | M12*1.75P | 4° | 10     |
| - 150-A4         | 251.8 | 150 | 12 | 113.5 | 38 | 36.5 | 24   | 12.5 | M12*1.75P | 4° | 10     |
| - 200-A4         | 301.8 | 200 | 12 | 163.5 | 38 | 43.5 | 24   | 12.5 | M12*1.75P | 4° | 10     |
| - 250-A4         | 351.8 | 250 | 12 | 213.5 | 38 | 50.5 | 24   | 12.5 | M12*1.75P | 4° | 10     |
| - 300-A4         | 401.8 | 300 | 12 | 263.5 | 38 | 57.5 | 24   | 12.5 | M12*1.75P | 4° | 10     |
| -M16- 60-A4      | 161.8 | 60  | 12 | 23.5  | 38 | 30.5 | 29   | 17   | M16*2.0P  | 4° | 10     |
| - 90-A4          | 191.8 | 90  | 12 | 53.5  | 38 | 33   | 29   | 17   | M16*2.0P  | 4° | 10     |
| - 110-A4         | 211.8 | 110 | 12 | 73.5  | 38 | 36   | 29   | 17   | M16*2.0P  | 4° | 10     |
| - 135-A4         | 236.8 | 135 | 12 | 98.5  | 38 | 39.5 | 29   | 17   | M16*2.0P  | 4° | 10     |
| - 150-A4         | 251.8 | 150 | 12 | 113.5 | 38 | 41.5 | 29   | 17   | M16*2.0P  | 4° | 10     |
| - 200-A4         | 301.8 | 200 | 12 | 163.5 | 38 | 48.5 | 29   | 17   | M16*2.0P  | 4° | 10     |
| - 250-A4         | 351.8 | 250 | 12 | 213.5 | 38 | 55.5 | 29   | 17   | M16*2.0P  | 4° | 10     |
| - 300-A4         | 401.8 | 300 | 12 | 263.5 | 38 | 62.5 | 29   | 17   | M16*2.0P  | 4° | 10     |

规格说明:

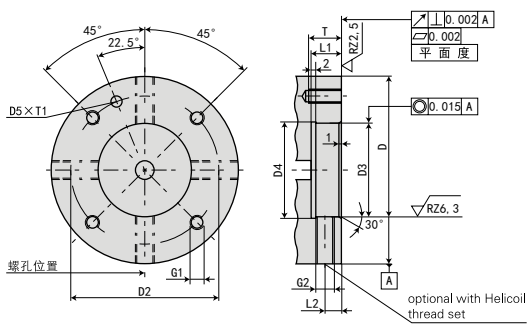
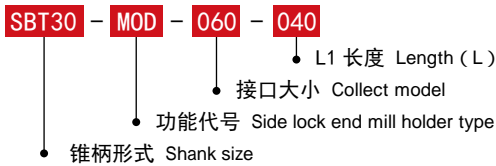


· SBT-MOD 模块刀柄 SBT-MOD MODULAR TOOL HOLDER



| 规格 Model         | L     | L1 | D   | d  | G1       | G        | 重量 KGS |
|------------------|-------|----|-----|----|----------|----------|--------|
| SBT30-MOD060-040 | 88.4  | 40 | 60  | 30 | M8*1.0P  | M5*0.8P  | 0.7    |
| -MOD070-040      | 88.4  | 40 | 70  | 35 | M8*1.0P  | M6*1.0P  | 0.8    |
| SBT40-MOD060-055 | 120.4 | 55 | 60  | 30 | M8*1.0P  | M5*0.8P  | 1.5    |
| -MOD070-055      | 120.4 | 55 | 70  | 35 | M8*1.0P  | M6*1.0P  | 1.6    |
| -MOD080-065      | 130.4 | 65 | 80  | 40 | M8*1.0P  | M6*1.0P  | 2      |
| -MOD100-070      | 135.4 | 70 | 100 | 50 | M10*1.0P | M8*1.25P | 2.6    |
| SBT45-MOD060-065 | 147.8 | 65 | 60  | 30 | M8*1.0P  | M5*0.8P  | 3      |
| -MOD070-065      | 147.8 | 65 | 70  | 35 | M8*1.0P  | M6*1.0P  | 3.1    |
| -MOD080-065      | 147.8 | 65 | 80  | 40 | M8*1.0P  | M6*1.0P  | 3.3    |
| -MOD100-075      | 157.8 | 75 | 100 | 50 | M10*1.0P | M8*1.25P | 3.5    |
| -MOD117-075      | 157.8 | 75 | 117 | 60 | M10*1.0P | M8*1.25P | 4.4    |
| SBT50-MOD060-070 | 171.8 | 70 | 60  | 30 | M8*1.0P  | M5*0.8P  | 4.8    |
| -MOD070-070      | 171.8 | 70 | 70  | 35 | M8*1.0P  | M6*1.0P  | 4.9    |
| -MOD080-070      | 171.8 | 70 | 80  | 40 | M8*1.0P  | M6*1.0P  | 5.1    |
| -MOD100-070      | 171.8 | 70 | 100 | 50 | M10*1.0P | M8*1.25P | 5.3    |
| -MOD117-080      | 181.8 | 80 | 117 | 60 | M10*1.0P | M8*1.25P | 6.3    |
| -MOD140-080      | 181.8 | 80 | 140 | 80 | M10*1.0P | M8*1.25P | 6.6    |

规格说明:



| Nominal size module diameter D | 32   | 40   | 50   | 63    | 80    | 100   | 125   | 160   |
|--------------------------------|------|------|------|-------|-------|-------|-------|-------|
| D2+/-0.1                       | 44   | 53   | 63   | 79    | 96    | 119   | 150   | 185   |
| D3F8                           | 30   | 35   | 40   | 50    | 60    | 80    | 100   | 120   |
| D4                             | 31   | 36   | 41   | 51    | 61    | 81    | 101   | 121   |
| D5                             | 4.5  | 5.0  | 5.0  | 5.0   | 6.0   | 6.0   | 6.0   | 6.0   |
| L1                             | 12   | 12   | 12   | 14    | 14    | 14    | 24    | 37    |
| L2                             | 7    | 7    | 7    | 8     | 8     | 8     | 8     | 8     |
| G1                             | M5   | M6   | M6   | M8    | M8    | M10   | M12   | M12   |
| G2                             | M8*1 | M8*1 | M8*1 | M10*1 | M10*1 | M10*1 | M10*1 | M10*1 |
| T                              | 11   | 14   | 14   | 15    | 15    | 18    | 25    | 25    |
| T1+0.5                         | 3    | 3.5  | 3.5  | 3.5   | 4.5   | 4.5   | 4.5   | 4.5   |

D  
SBT 刀柄系列  
SBT SHANK SYSTEMS

· MOD 法兰盘 MOD FLANGE PLATE

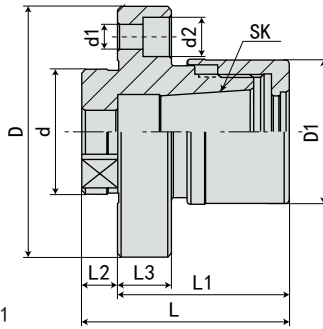


FIG. 1

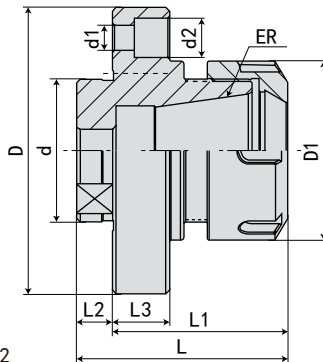
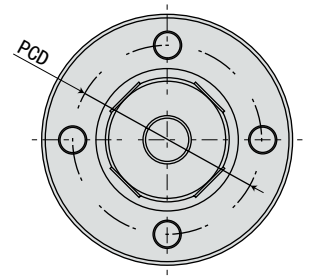
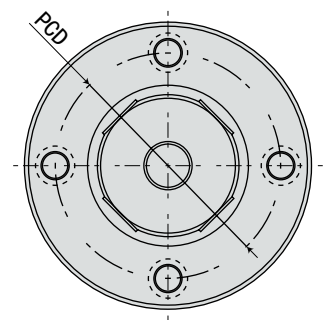


FIG. 2



| 规格 Model        | D   | D1 | d     | d1 | d2 | L  | L1 | L2 | L3 | PCD | FIG |
|-----------------|-----|----|-------|----|----|----|----|----|----|-----|-----|
| MOD060-GSK16-48 | 60  | 40 | 29.85 | 6  | 9  | 58 | 48 | 10 | 15 | 44  | 1   |
| MOD070-GSK16-48 | 70  | 40 | 34.85 | 7  | 11 | 58 | 48 | 10 | 15 | 53  | 1   |
| MOD080-GSK16-49 | 80  | 40 | 39.85 | 7  | 11 | 59 | 49 | 10 | 16 | 63  | 1   |
| MOD080-ER32-49  | 80  | 50 | 39.85 | 7  | 11 | 59 | 49 | 10 | 16 | 63  | 2   |
| MOD100-ER40-63  | 100 | 63 | 49.85 | 9  | 14 | 75 | 63 | 12 | 18 | 79  | 2   |

规格说明:

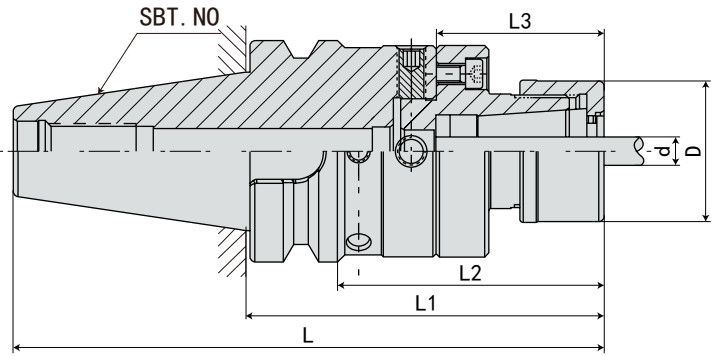
MOD - GSK - 16 - 48

- L1 长度 Length (L)
- 筒夹型号 Collect model
- 筒夹种类 Collect type GSK
- 锥柄形式 Shank size

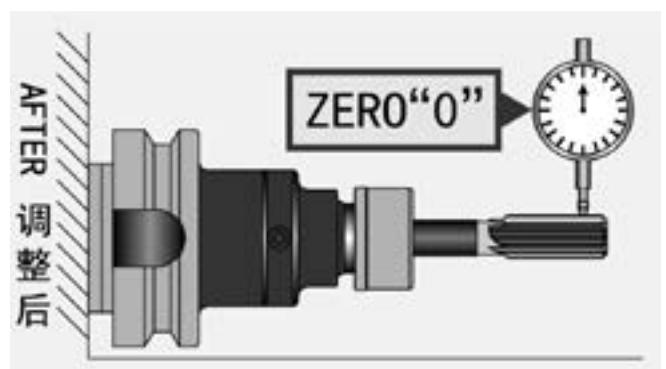
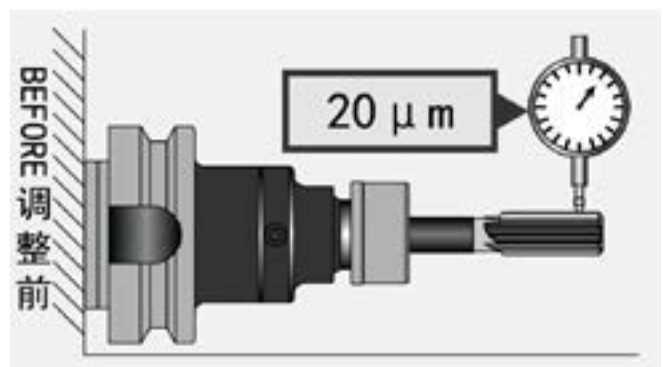
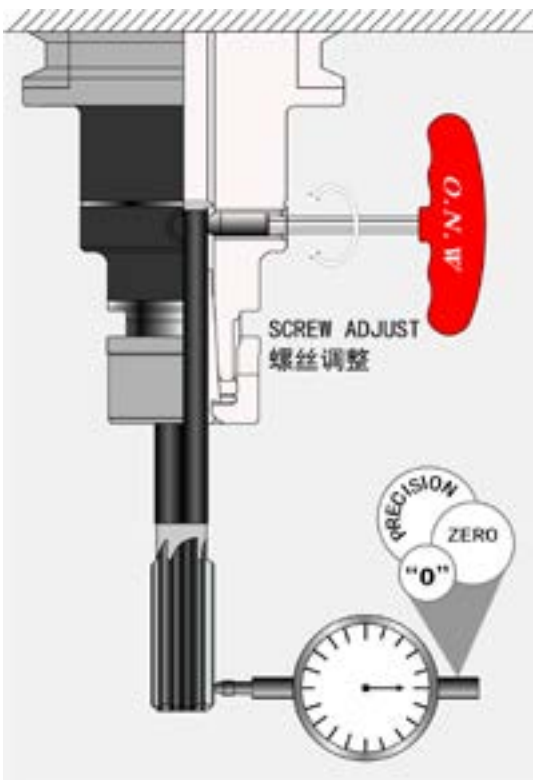
· SBT-MOD 可调精度刀柄 ( 铰刀专用 ) SBT-MOD ADJUSTABLE CHUCK ( REAMER USING )



配件 Accessories



| 规格 Model               | L     | L1  | L2  | L3 | D  | d 夹持范围 Range | 弹性筒夹 Collets |
|------------------------|-------|-----|-----|----|----|--------------|--------------|
| SBT30-MOD060-GSK16-88  | 136.4 | 88  | 66  | 48 | 40 | 3-16mm       | GSK16        |
| -MOD070-GSK16-88       | 136.4 | 88  | 66  | 48 | 40 | 3-16mm       | GSK16        |
| SBT40-MOD060-GSK16-103 | 168.4 | 103 | 76  | 48 | 40 | 3-16mm       | GSK16        |
| -MOD070-GSK16-103      | 168.4 | 103 | 76  | 48 | 40 | 3-16mm       | GSK16        |
| -MOD080-ER32-114       | 179.4 | 114 | 87  | 49 | 50 | 2-20mm       | ER32         |
| -MOD080-GSK16-114      | 179.4 | 114 | 87  | 49 | 40 | 3-16mm       | GSK16        |
| -MOD100-ER40-133       | 198.4 | 133 | 106 | 63 | 63 | 2-26mm       | ER40         |
| SBT50-MOD060-GSK16-118 | 219.8 | 118 | 80  | 48 | 40 | 3-16mm       | GSK16        |
| -MOD070-GSK16-118      | 219.8 | 118 | 80  | 48 | 40 | 3-16mm       | GSK16        |
| -MOD080-ER32-119       | 220.8 | 119 | 81  | 49 | 50 | 2-20mm       | ER32         |
| -MOD080-GSK16-119      | 220.8 | 119 | 81  | 49 | 40 | 3-16mm       | GSK16        |
| -MOD100-ER40-133       | 234.8 | 133 | 95  | 63 | 63 | 2-26mm       | ER40         |



特点:

- 刀尖位置可调至“0”位置
- 机械主轴、夹头、刀具的累计误差值可一次调整修正

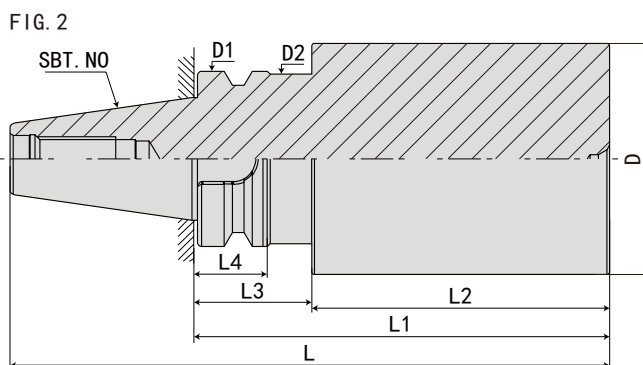
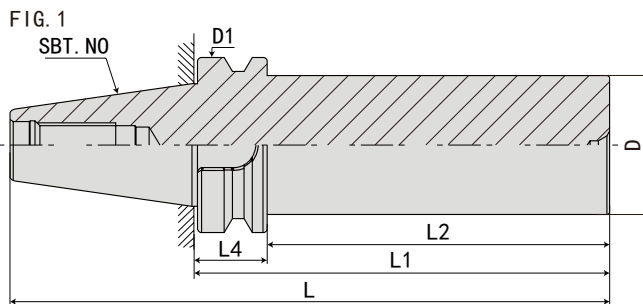
Features:

The tool tip position can be adjusted as “0” position.  
The accumulated error value of the spindle, the chuck, and the tool can all be adjusted and corrected at the same time.

规格说明:



· SBT - 基础柄刀柄 SBT SEMI-FINISHED TOOL HOLDER



| 规格 Model       | L     | L1  | L2  | L3 | L4 | D   | D1  | D2 | FIG | 重量 KGS |
|----------------|-------|-----|-----|----|----|-----|-----|----|-----|--------|
| SBT30- D50-100 | 148.4 | 100 | 68  | 32 | 22 | 50  | 46  | 44 | 2   |        |
| - 125          | 173.4 | 125 | 93  | 32 | 22 | 50  | 46  | 44 | 2   |        |
| - 150          | 198.4 | 150 | 118 | 32 | 22 | 50  | 46  | 44 | 2   |        |
| - D63-100      | 148.4 | 100 | 68  | 32 | 22 | 63  | 46  | 44 | 2   |        |
| - 125          | 173.4 | 125 | 93  | 32 | 22 | 63  | 46  | 44 | 2   |        |
| - 150          | 198.4 | 150 | 118 | 32 | 22 | 63  | 46  | 44 | 2   |        |
| - D83-100      | 148.4 | 100 | 68  | 32 | 22 | 83  | 46  | 44 | 2   |        |
| - 125          | 173.4 | 125 | 93  | 32 | 22 | 83  | 46  | 44 | 2   |        |
| -D102-125      | 173.4 | 125 | 93  | 32 | 22 | 102 | 46  | 44 | 2   |        |
| SBT40- D50-100 | 165.4 | 100 | 73  | -  | 27 | 50  | 63  | -  | 1   |        |
| - 150          | 215.4 | 150 | 123 | -  | 27 | 50  | 63  | -  | 1   |        |
| -200           | 265.4 | 200 | 173 | -  | 27 | 50  | 63  | -  | 1   |        |
| - D63-100      | 165.4 | 100 | 63  | 37 | 27 | 63  | 63  | 61 | 2   |        |
| - 150          | 215.4 | 150 | 113 | 37 | 27 | 63  | 63  | 61 | 2   |        |
| -200           | 265.4 | 200 | 163 | 37 | 27 | 63  | 63  | 61 | 2   |        |
| -250           | 315.4 | 250 | 213 | 37 | 27 | 63  | 63  | 61 | 2   |        |
| - D83-100      | 165.4 | 100 | 63  | 37 | 27 | 83  | 63  | 61 | 2   |        |
| - 150          | 215.4 | 150 | 113 | 37 | 27 | 83  | 63  | 61 | 2   |        |
| -200           | 265.4 | 200 | 163 | 37 | 27 | 83  | 63  | 61 | 2   |        |
| -250           | 315.4 | 250 | 213 | 37 | 27 | 83  | 63  | 61 | 2   |        |
| -D102-150      | 215.4 | 150 | 113 | 37 | 27 | 102 | 63  | 61 | 2   |        |
| SBT50-D102-100 | 201.8 | 100 | 52  | 48 | 38 | 102 | 100 | 98 | 2   |        |
| - 150          | 251.8 | 150 | 102 | 48 | 38 | 102 | 100 | 98 | 2   |        |
| -200           | 301.8 | 200 | 152 | 48 | 38 | 102 | 100 | 98 | 2   |        |
| -250           | 351.8 | 250 | 202 | 48 | 38 | 102 | 100 | 98 | 2   |        |
| -300           | 401.8 | 300 | 252 | 48 | 38 | 102 | 100 | 98 | 2   |        |
| -D127-150      | 251.8 | 150 | 102 | 48 | 38 | 127 | 100 | 98 | 2   |        |
| -200           | 301.8 | 200 | 152 | 48 | 38 | 127 | 100 | 98 | 2   |        |

规格说明:

SBT30 - D - 50 - 100

- L1 长度 Length (L)
- 刀杆直径 Bore diameter
- 功能代号 Face mill holder type
- 锥柄形式 Shank size